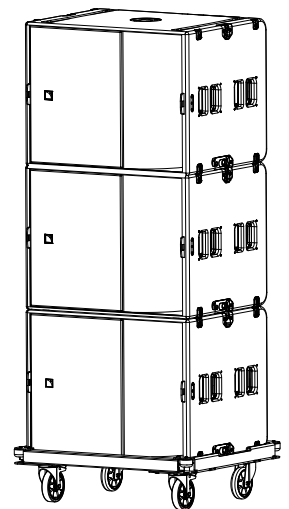
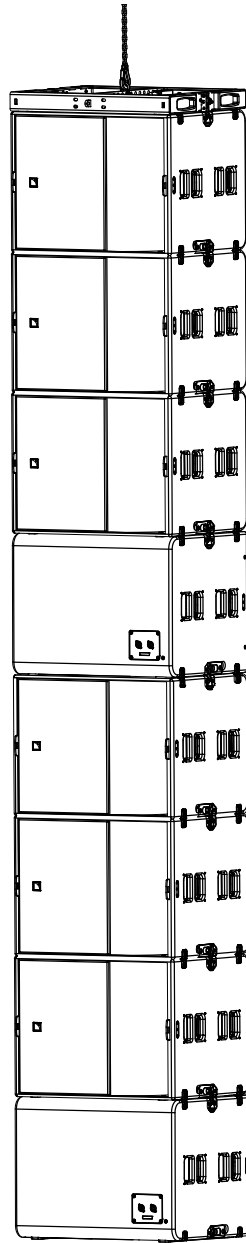
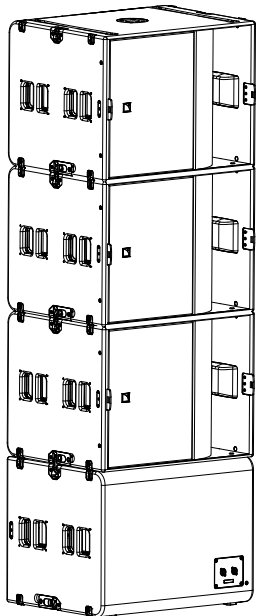


# KS2 1



owner's manual (EN)



Document reference: KS21 owner's manual (EN) version 1.0

Distribution date: June 3, 2019

© 2019 L-Acoustics. All rights reserved.

No part of this publication may be reproduced or transmitted in any form or by any means without the express written consent of the publisher.

## Contents







Safety.....	5
Instructions.....	5
Introduction.....	7
KS21 compact reference subwoofer.....	7
How to use this manual.....	7
System components.....	8
Loudspeaker cables.....	9
Rigging elements.....	10
Electro-acoustical description.....	11
Preset description.....	11
Connectors.....	11
Rigging system description.....	12
KS21.....	12
Rigging elements for flown arrays.....	15
A15-BUMP.....	15
A15-RIGBAR.....	17
Rigging elements for stacked arrays.....	19
KS21-OUTRIG.....	19
K2-JACK.....	20
Storage and handling elements.....	22
KS21-CHARIOT.....	22
KS21-PLA.....	23
KS21-COV and KS21-CHARIOTCOV.....	24
Mechanical safety.....	25
Loudspeaker configurations.....	27
KS21 in standard configuration.....	27
KS21 in cardioid configuration.....	28
Rigging procedures.....	29
Flying.....	29
Flying a vertical array with A15-BUMP/A15-RIGBAR.....	29
Stacking.....	34
Stacking KS21 on KS21-CHARIOT.....	34
Attaching K2-JACK stabilizers to KS21-CHARIOT.....	36

Connection to LA amplified controllers.....	39
Specifications.....	40
APPENDIX A: Recommendation for speaker cables.....	48

# Safety

## Instructions

---

-  **Inspect the system before any deployment.**  
Perform safety related checks and inspections before any deployment.
- Perform preventive maintenance at least once a year.**  
Refer to the preventive maintenance section for a list of actions and their periodicity.  
Insufficient upkeep of the product can void the warranty.
- If any safety issue is detected during inspection, do not use the product before performing corrective maintenance.**  
Check for issues. A rigging system part or fastener is missing or loose. A rigging system part exhibits: bends, breaks, broken parts, corrosion, cracks, cracks in welded joints, deformation, denting, wear, holes. A safety cue or label is missing. A loose part is not adequately secured.
-  **Never incorporate equipment or accessories not approved by L-Acoustics.**
-  **Read all the related PRODUCT INFORMATION documents shipped with the products before exploiting the system.**
-  **Do not store the product on an unstable cart, stand, tripod, bracket, or table.**
-  **Beware of sound levels.**  
Do not stay within close proximity of loudspeakers in operation.  
Loudspeaker systems are capable of producing very high sound pressure levels (SPL) which can instantaneously lead to permanent hearing damage to performers, production crew and audience members. Hearing damage can also occur at moderate level with prolonged exposure to sound.  
Check the applicable laws and regulations relating to maximum sound levels and exposure times.
-  **Work with qualified personnel for rigging the system**  
Installation should only be carried out by qualified personnel that are familiar with the rigging techniques and safety recommendations outlined in this manual.
- Ensure personnel health and safety**  
During installation and set-up personnel must wear protective headgear and footwear at all times. Under no circumstances is personnel allowed to climb on a loudspeaker assembly.
- Respect the Working Load Limit (WLL) of third party equipment.**  
L-Acoustics is not responsible for any rigging equipment and accessories provided by third party manufacturers. Verify that the Working Load Limit (WLL) of the suspension points, chain hoists and all additional hardware rigging accessories is respected.
- Respect the maximum configurations and the recommended safety precautions.**  
For safety issue, respect the maximum configurations outlined in this manual. To check the conformity of any configuration in regards with the safety precautions recommended by L-Acoustics, model the system in Soundvision and refer to the warnings in Mechanical Data section.
- Be cautious when flying a loudspeaker configuration.**  
Before installing/raising the product, check each individual element to make sure that it is securely fastened to the adjacent element. Always verify that no one is standing underneath the product when it is being installed/raised. Never leave the product unattended during the installation process.  
As a general rule, L-Acoustics recommends the use of secondary safety at all times.
- Be cautious when ground-stacking a loudspeaker array.**  
Do not stack the loudspeaker array on unstable ground or surface. If the array is stacked on a structure, platform, or stage, always check that the latter can support the total weight of the array.  
As a general rule, L-Acoustics recommends the use of safety straps at all times.

### **Risk of falling objects**

Verify that no unattached items remain on the product or assembly.

### **Risk of tipping**

Remove all rigging accessories before transporting a product or an assembly.

### **Take into account the wind effects on dynamic load.**

When a loudspeaker assembly is deployed in an open air environment, wind can produce dynamic stress to the rigging components and suspension points.

If the wind force exceeds 6 bft (Beaufort scale), lower down and/or secure the product or the assembly.



### **Intended use**

This system is intended for use by trained personnel for professional applications.



**As part of a continuous evolution of techniques and standards, L-Acoustics reserves the right to change the specifications of its products and the content of its documents without prior notice.**

Check [www.l-acoustics.com](http://www.l-acoustics.com) on a regular basis to download the latest document and software updates.

**Read the maintenance section of this document before servicing the product.**



**Do not expose the product to extreme conditions.**

Do not expose the product to rain or sea spray.

Do not expose the product to moisture (mist, steam, humidity, condensation...) or excessive heat (direct sun, radiator...) for a long period of time.



**Contact L-Acoustics for advanced maintenance.**

Any unauthorized maintenance operation will void the product warranty.

# Introduction

## KS21 compact reference subwoofer

---

KS21 is a compact reference subwoofer designed to extend the bandwidth of ARCS A15 and A10 systems. KS21 features one high excursion, direct radiating 21" transducer mounted in a bass-reflex tuned enclosure.

KS21 operates from 30 Hz to 60 Hz or 100 Hz to accommodate various coupling conditions and LF contour requirements. KS21 features L-Vents that substantially reduce turbulence and port noise at high levels while also increasing LF efficiency.

The KS21 frequency response is optimized to couple perfectly with both systems. KS21 features a two-point, integrated rigging system that is compatible with A15. Combinations of KS21 and A15 can be flown or stacked to form a full range line source. KS21 also integrates a threaded insert to enable pole-mount configurations of A15 or A10.

KS21 can be deployed in standard or cardioid configurations with dedicated presets, for flown and stacked deployment.

## How to use this manual

---

The KS21 owner's manual is intended for all actors involved in the system design, implementation, preventive and corrective maintenance of the KS21 system. It must be used as follows:

1. Read the technical description for an overview of all system elements, their features, and their compatibilities.
  - [Electro-acoustical description](#) (p.11)
  - [Rigging system description](#) (p.12)
2. Prepare the system configuration. Consider the mechanical limits and the available acoustical configurations.
  - [Mechanical safety](#) (p.25)
  - [boilerplate/src/loudspeaker\\_configurations\\_title.dita](#) (p.27)
3. Before rigging the system, perform mandatory inspections and functional checks.
4. To deploy the system, follow the step-by-step rigging instructions and refer to the cabling schemes.
  - [Rigging procedures](#) (p.29)
  - [Connection to LA amplified controllers](#) (p.39)

**As part of a continuous evolution of techniques and standards, L-Acoustics reserves the right to change the specifications of its products and the content of its document without prior notice.** Please check [www.l-acoustics.com](http://www.l-acoustics.com) on a regular basis to download the latest document and software updates.




## Contact information

For information on advanced corrective maintenance:

- contact your Certified Provider or your L-Acoustics representative
- for Certified Providers, contact the L-Acoustics customer service: [customer.service@l-acoustics.com](mailto:customer.service@l-acoustics.com)

## Symbols

The following symbols are used in this document:

-  This symbol indicates a potential risk of harm to an individual or damage to the product. It can also notify the user about instructions that must be strictly followed to ensure safe installation or operation of the product.
-  This symbol notifies the user about instructions that must be strictly followed to ensure proper installation or operation of the product.
-  This symbol notifies the user about complementary information or optional instructions.

## System components

### Loudspeaker enclosures

KS21 High power compact subwoofer: 1x21"

### Powering and driving system

LA4X / LA8 / LA12X Amplified controller with DSP, preset library and networking capabilities



Refer to the LA4X / LA8 / LA12X user manual for operating instructions.

### Loudspeaker cables

SP cables 4-point speakON loudspeaker cables (4 mm<sup>2</sup> gauge)  
 SP cables come in four sizes: SP.7 (0.7 m/2.3 ft), SP5 (5 m/16.4 ft), SP10 (10 m/32.8 ft) and SP25 (25 m/82 ft)

SP-Y1 breakout cable for two passive enclosures (2.5 mm<sup>2</sup> gauge) provided with a CC4FP adapter  
 4-point speakON to 2 × 2-point speakON

DO 8-point PA-COM loudspeaker cables (4 mm<sup>2</sup> gauge)  
 DO cables come in three sizes: DO.7 (0.7 m/2.3 ft), DO10 (10 m/32.8 ft) and DO25 (25 m/82 ft)

DOSUB-LA8 breakout cable for four passive enclosures (4 mm<sup>2</sup> gauge)  
 8-point PA-COM to 4 × 2-point speakON



**Information about the connection of the enclosures to the LA amplified controllers is given in this document.**

Refer to the LA4X / LA8 / LA12X user manual for detailed instructions about the whole cabling scheme, including modulation cables and network.

### Rigging elements

A15-BUMP Flying frame for vertical deployment of A15 and KS21

A15-RIGBAR Rigging bar and pullback for A15 and KS21

KS21-OUTRIG Stability bars for KS21

K2-JACK 4 tilt adjustment screw jacks + bar for K2-CHARIOT

CLAMP250 Clamp certified for 250 kg

### Transportation accessories

KS21-CHARIOT Chariot for 3 KS21

KS21-COV Protective cover for 1 KS21

KS21-PLA Removable front dolly for 1KS21

KS21-CHARIOTCOV Protective cover for 3 KS21 on KS21-CHARIOT

### Software applications

Soundvision 3D acoustical and mechanical modeling software

LA Network Manager Software for remote control and monitoring of amplified controllers

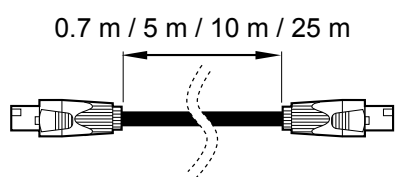


Refer to the **Soundvision** help.

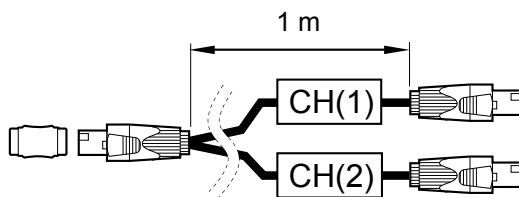
Refer to the **LA Network Manager** help.



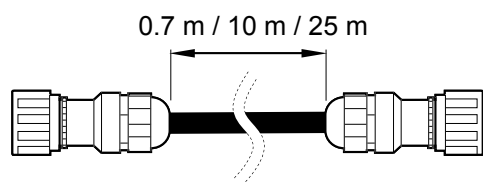
## Loudspeaker cables



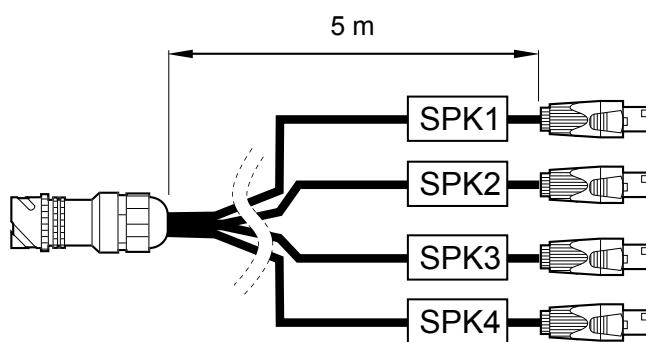
**SP.7 / SP5 / SP10 / SP25**



**SP-Y1**



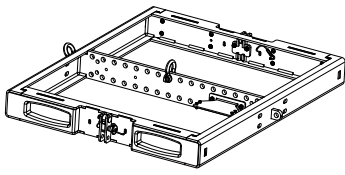
**DO.7 / DO10 / DO25**



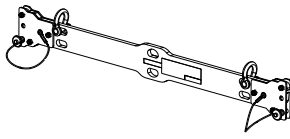
**DOSUB-LA8**

## Rigging elements

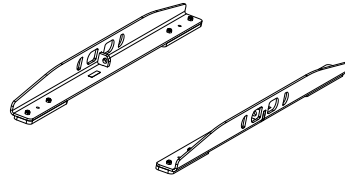
---



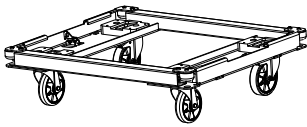
A15-BUMP



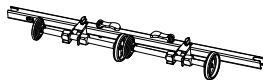
A15-RIGBAR



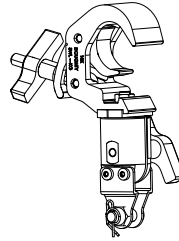
KS21-OUTRIG



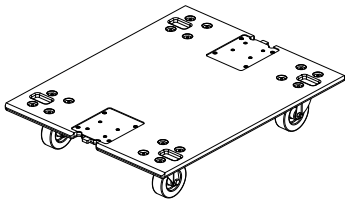
KS21-CHARIOT



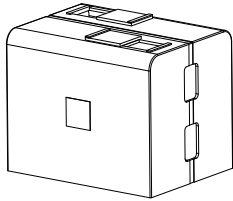
K2-JACK



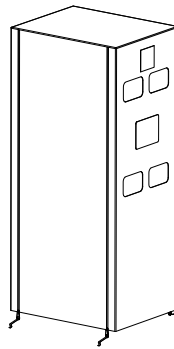
CLAMP250



KS21-PLA



KS21-COV



KS21-CHARIOTCOV

## Electro-acoustical description

### Preset description

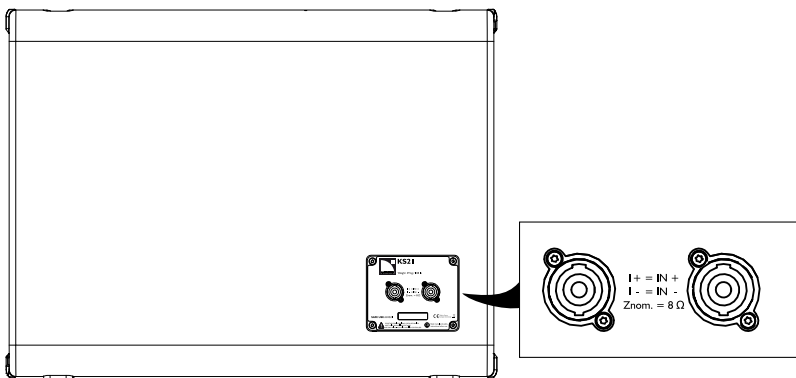
#### [KS21\_60] [KS21\_100]

outputs	channels	routing	gain	delay	polarity	mute
OUT 1	SB	IN A	0 dB	0 ms	+	ON
OUT 2	SB	IN A	0 dB	0 ms	+	ON
OUT 3	SB	IN A	0 dB	0 ms	+	ON
OUT 4	SB	IN A	0 dB	0 ms	+	ON

#### [KS21\_60\_C] [KS21\_100\_C]

loudspeaker elements	outputs	channels	routing	gain	delay	polarity	mute
SR	OUT 1	SR	IN A	0 dB	0 ms	+	ON
SB	OUT 2	SB					ON
SB	OUT 3	SB					ON
SB	OUT 4	SB					ON

### Connectors



KS21

2 x 4-point speakON

#### Internal pinout for L-Acoustics subwoofers

speakON points	1 +	1 -	2 +	2 -
Transducer connectors	LF +	LF -	Not linked	Not linked

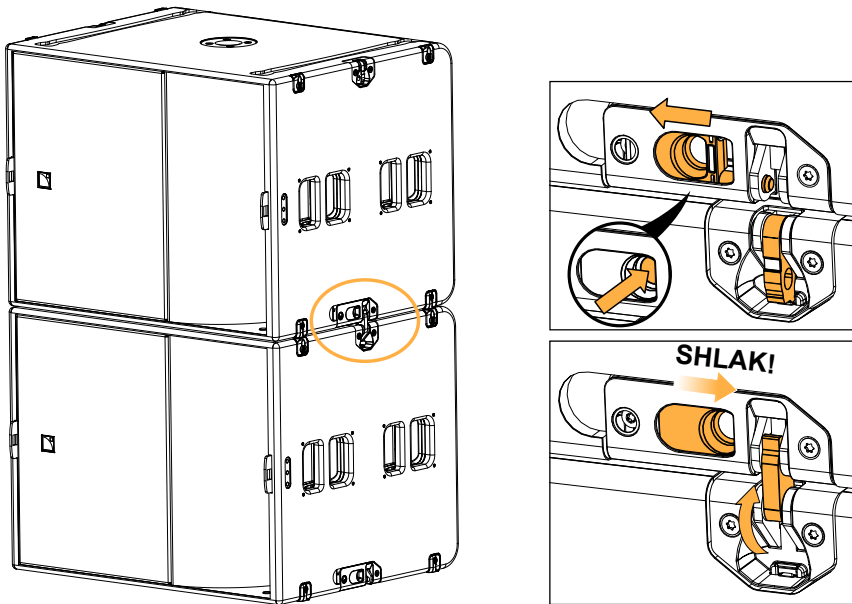
## Rigging system description

### KS21

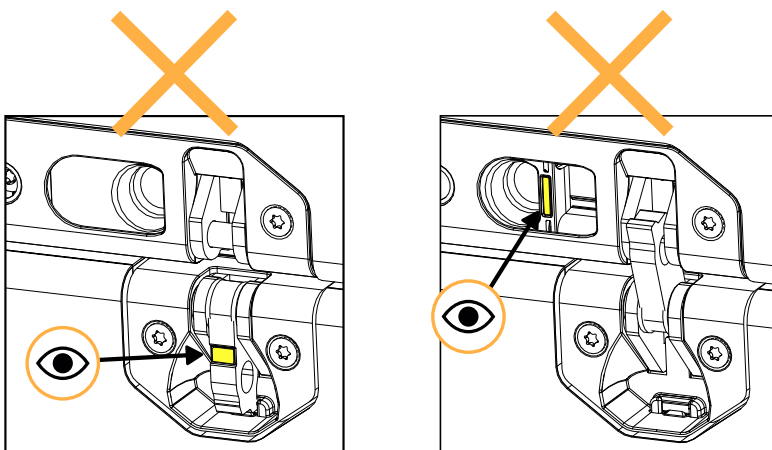
The rigging system of KS21 consists of two elements:

- A rotating rigging arm.
- A spring-loaded pin.

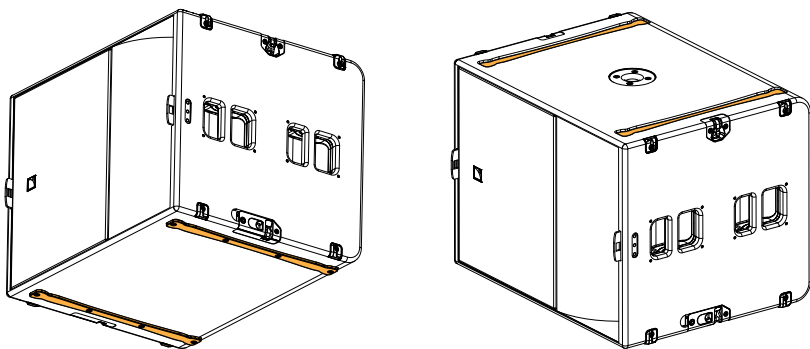
**i** Push and slide to unlock the spring-loaded pin.



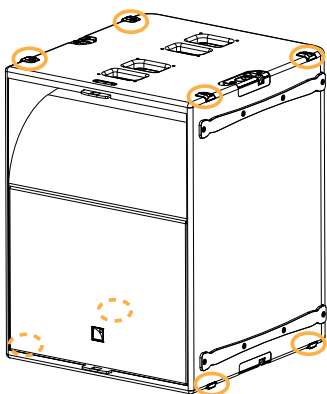
The rigging elements are fitted with yellow safety labels that are visible when they are not safely locked.



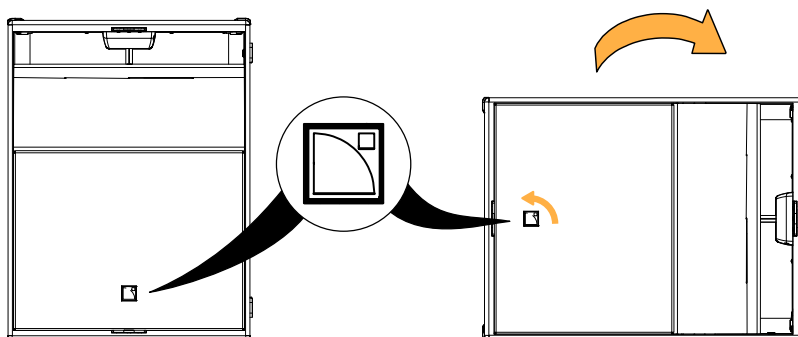
KS21 displays two ground runners on the bottom and two matching tracks on the top.



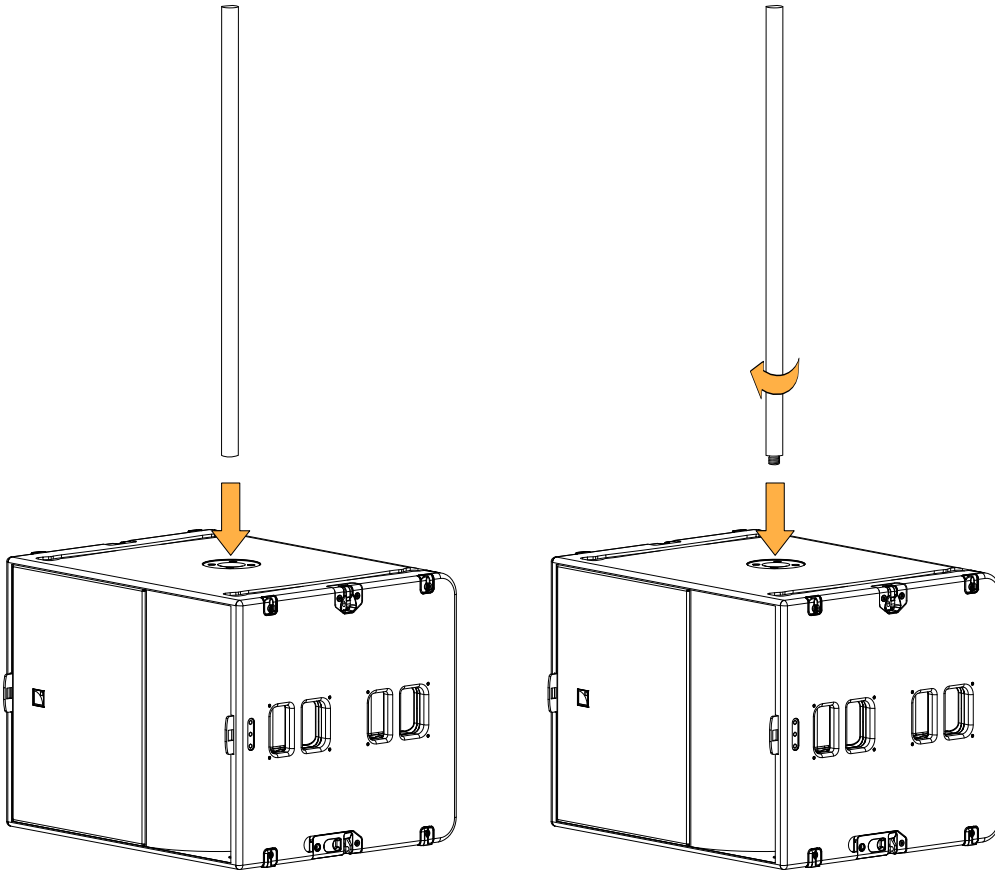
Eight corner stops protect the side panels during handling.



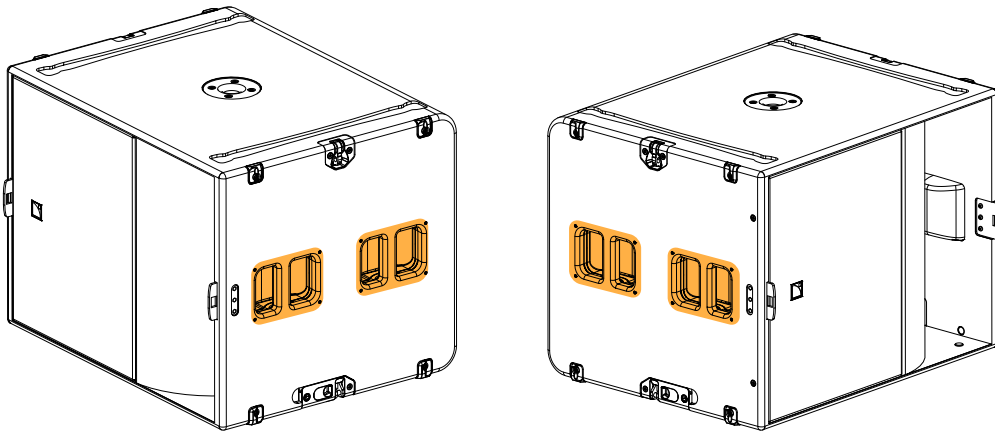
The logo on the enclosure front can be rotated to adapt to every configuration.



KS21 features a 35 mm pole-socket which contains an M20×150 insert, to be compatible with standard and threaded poles.



Four handles are available for transportation.

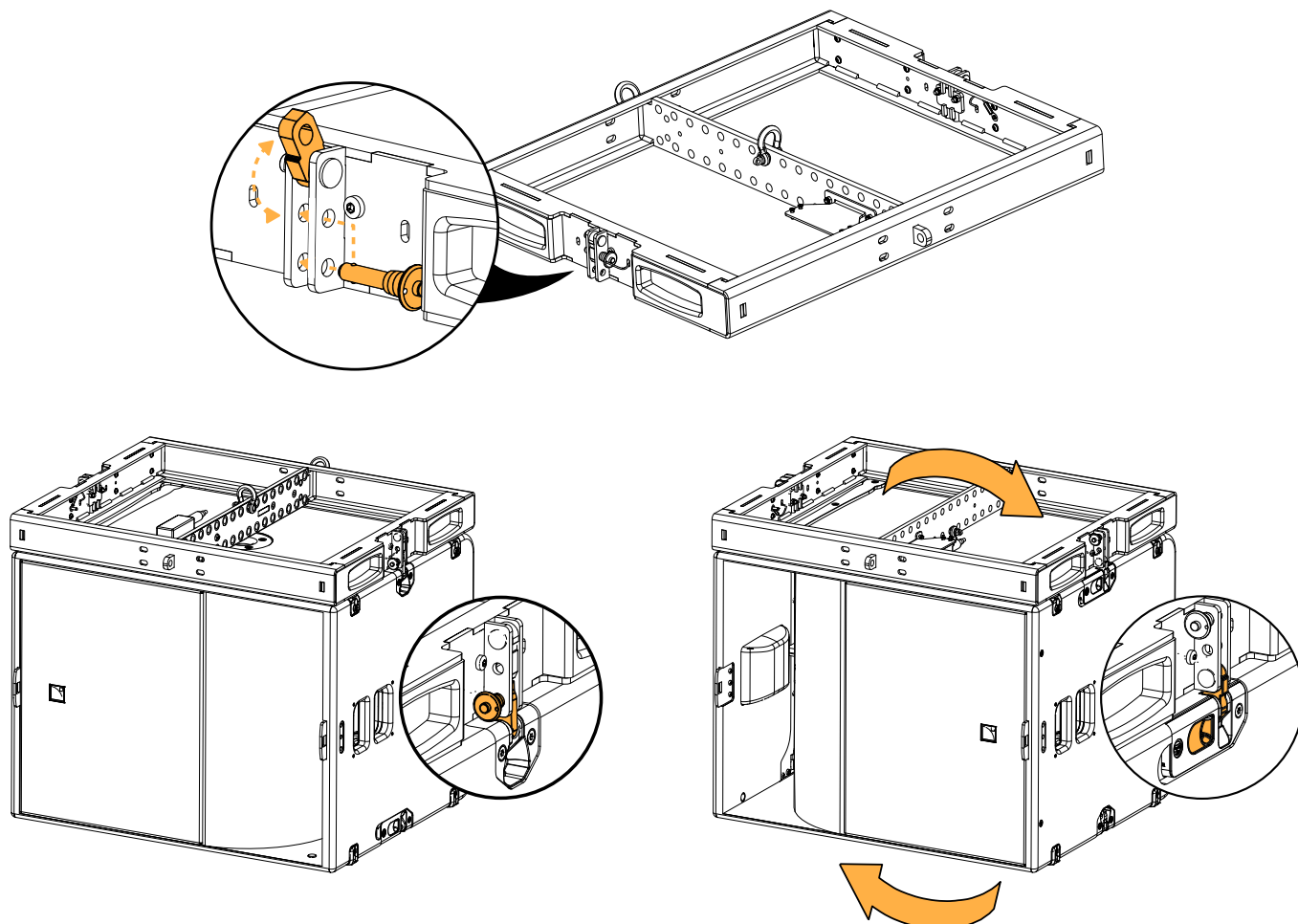


## Rigging elements for flown arrays

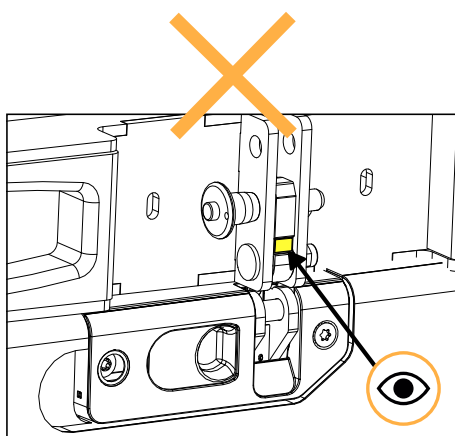
### A15-BUMP

A15-BUMP is a reversible rigging frame for flying vertical arrays of KS21.

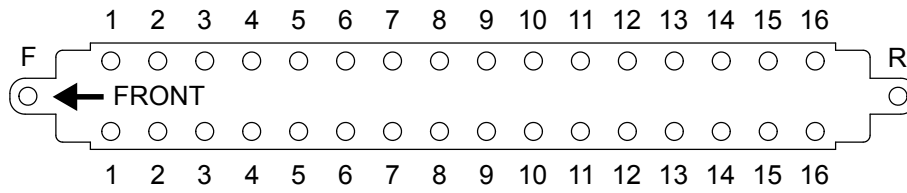
A15-BUMP is equipped with rotating rigging arms and ball-locking pins, to match the rigging systems of KS21 on either side.



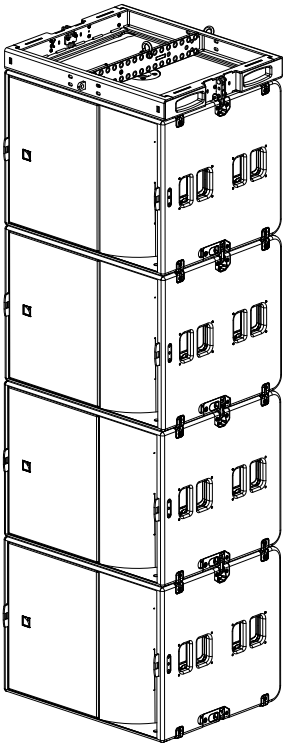
The rigging arms are fitted with yellow safety labels, that are visible when the rigging arm is not in use.



16 pickup points on each side, one front pickup point (F), and one rear pickup point (R), are available for site angle adjustments. They are compatible with Ø12 mm shackles WLL 1 t (two provided) and CLAMP250.



A15-BUMP can be used as the main lifting accessory for flying vertical arrays of KS21 with one or two lifting points.

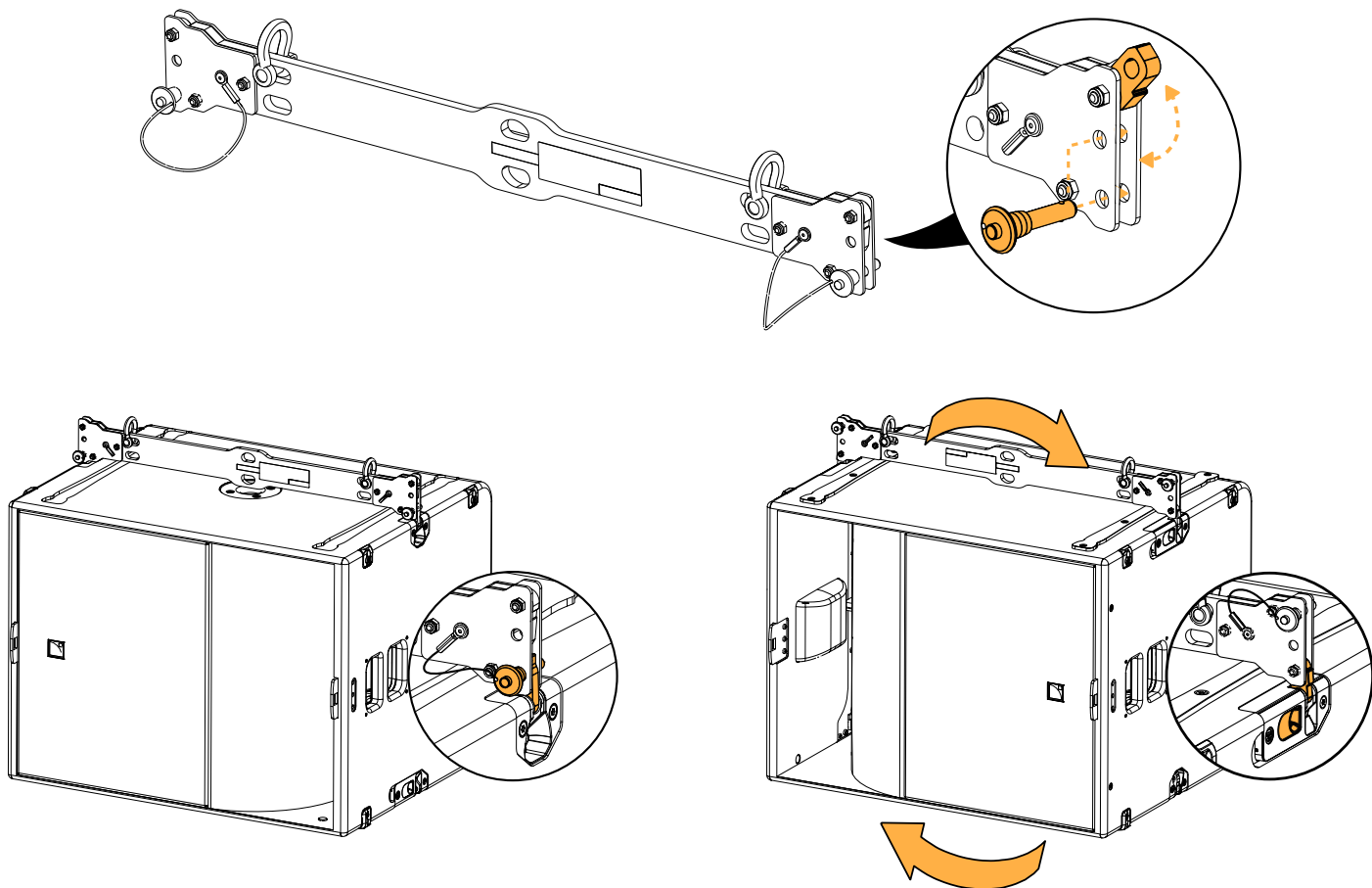




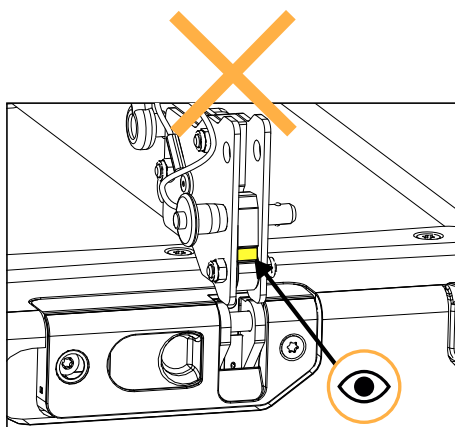
## A15-RIGBAR

A15-RIGBAR is a reversible rigging bar. It can be used as a pullback or for flying vertical arrays of up to four KS21.

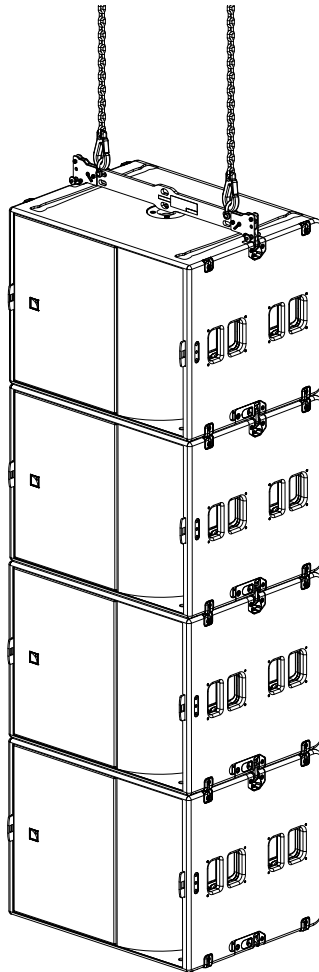
A15-RIGBAR is equipped with rotating rigging arms and ball-locking pins, to match the rigging systems of KS21 on either side.



The rigging arms are fitted with yellow safety labels, that are visible when the rigging arm is not in use.



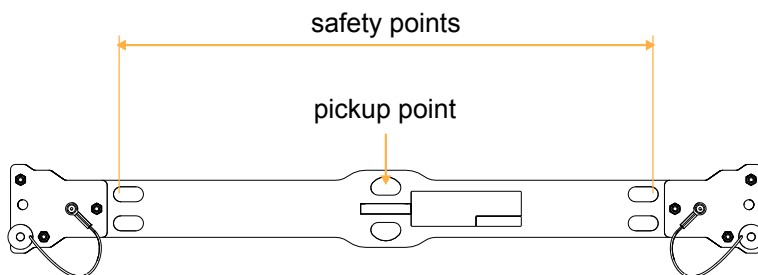
A15-RIGBAR can be used as the main lifting accessory, to provide a lightweight solution for flying four KS21 with one or two lifting points.



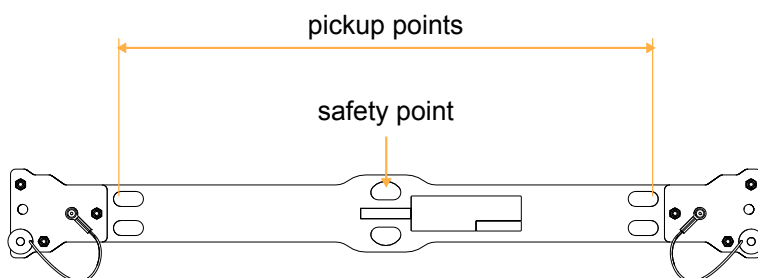
The pickup points are compatible with Ø12 mm shackles WLL 1 t (two provided) and CLAMP250.

**!** When using A15-RIGBAR as the main lifting accessory, always implement a secondary safety using available holes.

**One pickup point**



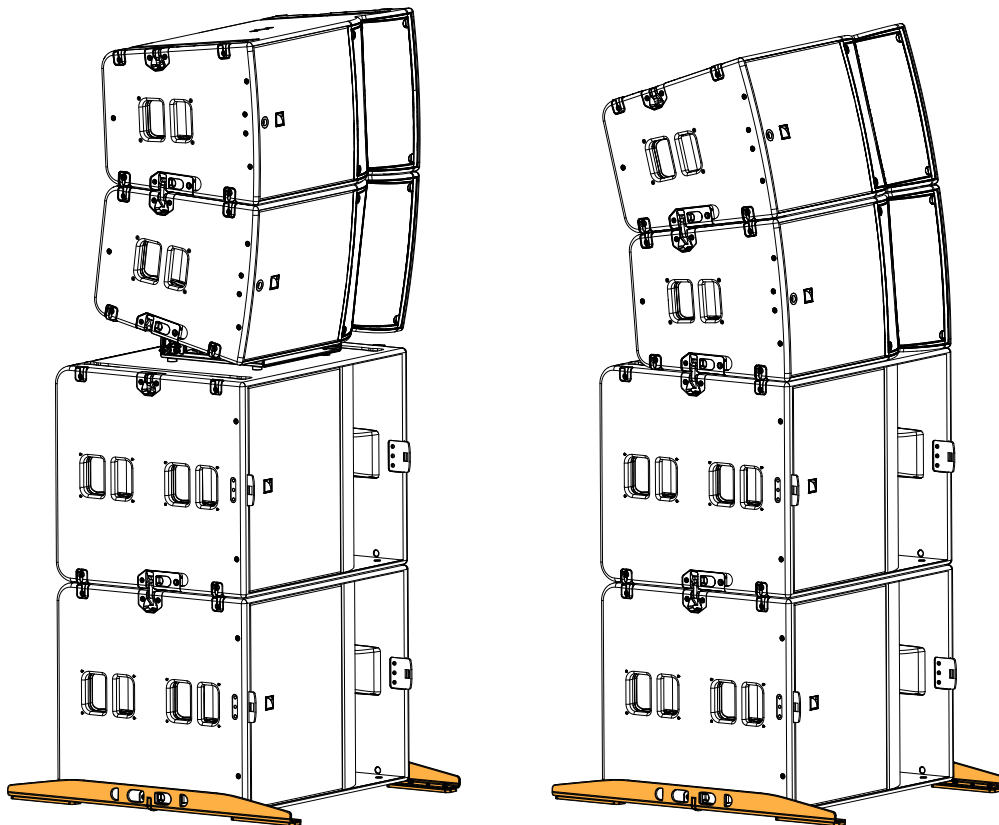
**Two pickup points**



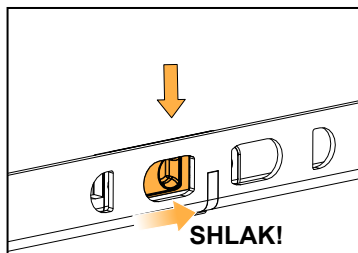
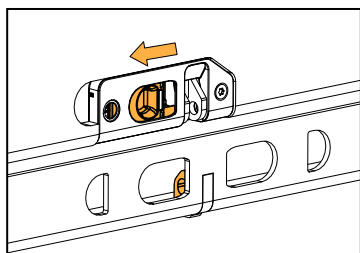
## Rigging elements for stacked arrays

### KS21-OUTRIG

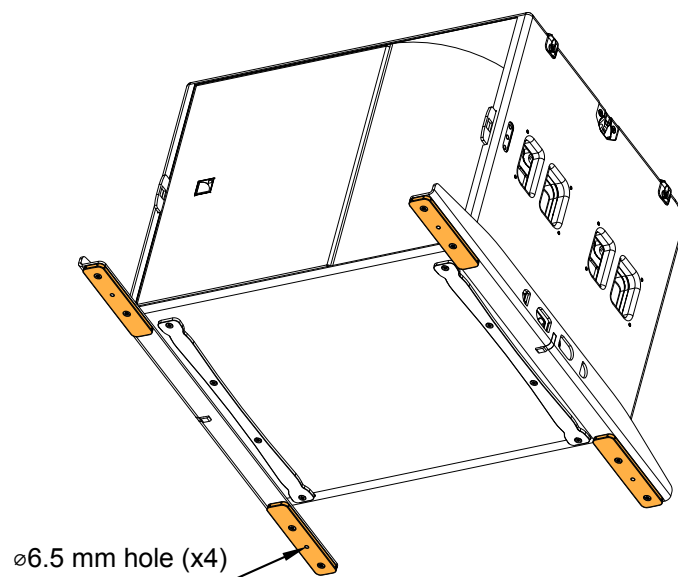
KS21-OUTRIG is a set of two stability bars for KS21. Secure KS21-OUTRIG at the bottom of a KS21 array to improve the stability of the array. The use of KS21-OUTRIG is mandatory when A15 Wide/Focus or A10 Wide/Focus are stacked on top of KS21.



KS21-OUTRIG matches the rigging system of KS21.



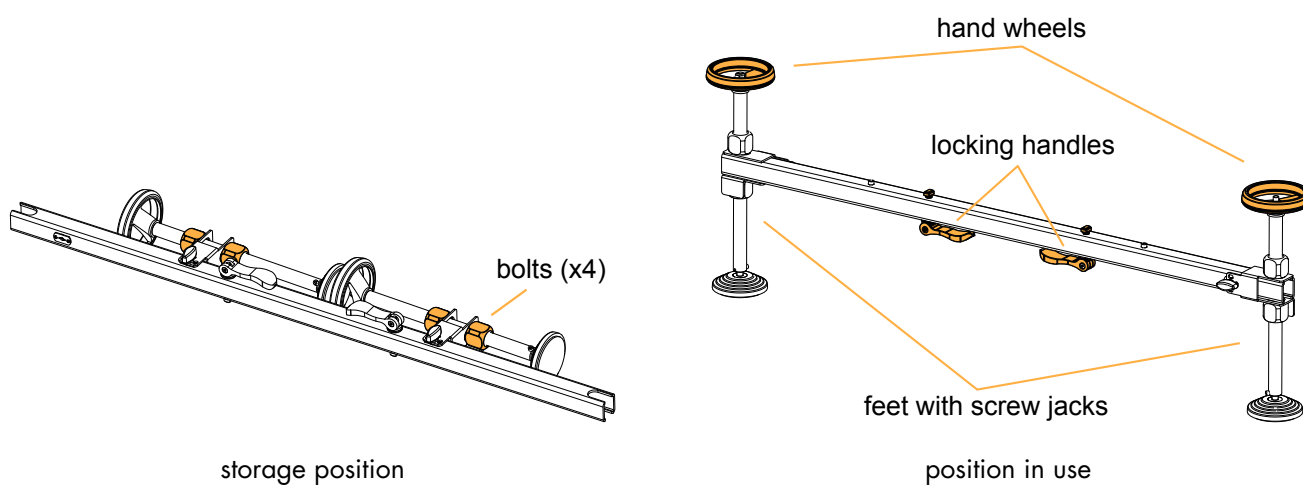
Two runners on each KS21-OUTRIG bar ensure stability. Four  $\varnothing$  6.5 mm holes are available to secure the assembly to the floor.

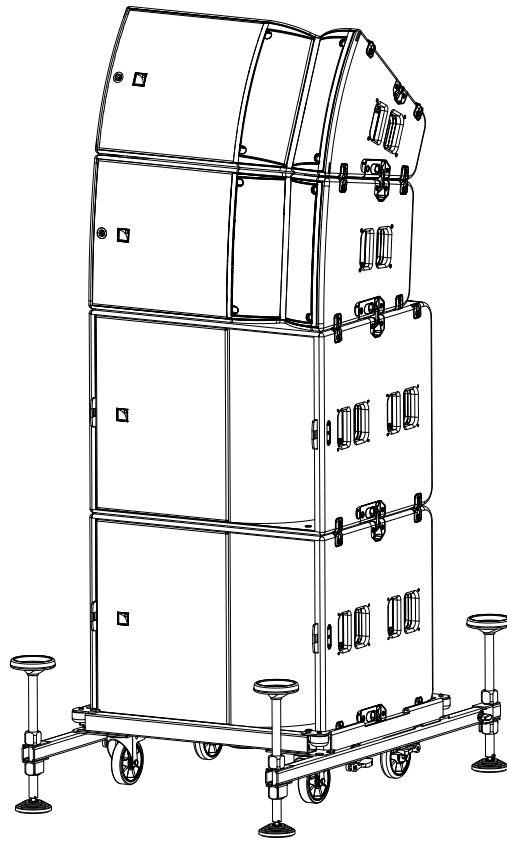


## K2-JACK

K2-JACK is a set of a two bars and four feet with screw jacks and hand wheels. K2-JACK can be fitted onto [KS21-CHARIOT](#) (p.22) to improve stability or correct floor discrepancies.

**i** During transportation, make sure the bolts are tightened.




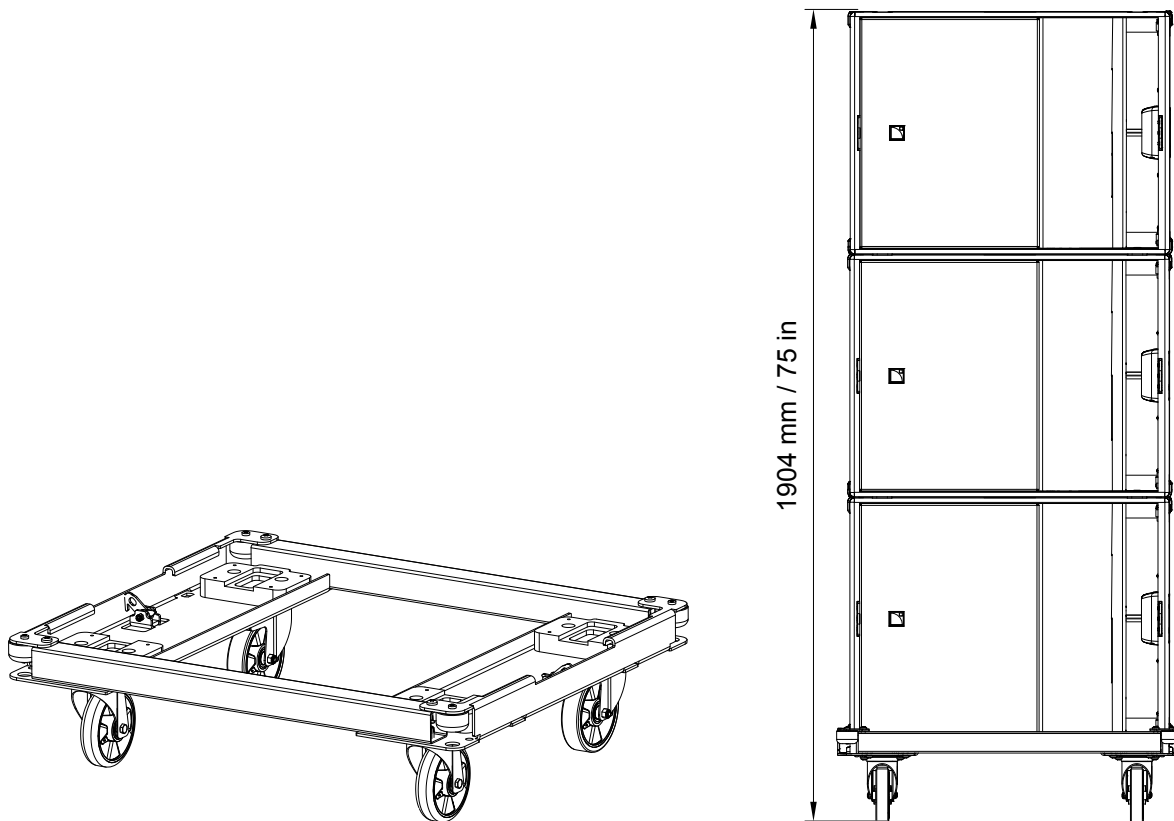


## Storage and handling elements


### KS21-CHARIOT

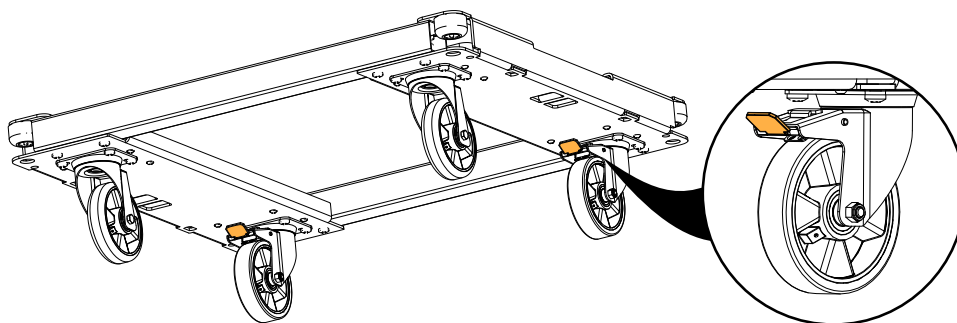
KS21-CHARIOT is a chariot designed to transport a stack of up to three KS21. It features two rigging arms to secure the lower KS21.

 Do not move or transport more than three enclosures on KS21-CHARIOT.

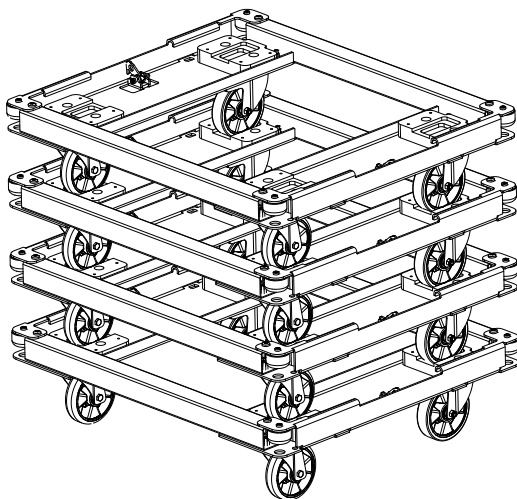


KS21-CHARIOT features two brakes for optimal stability.

 **Risk of brake damage**  
Do not use the brakes during transportation.

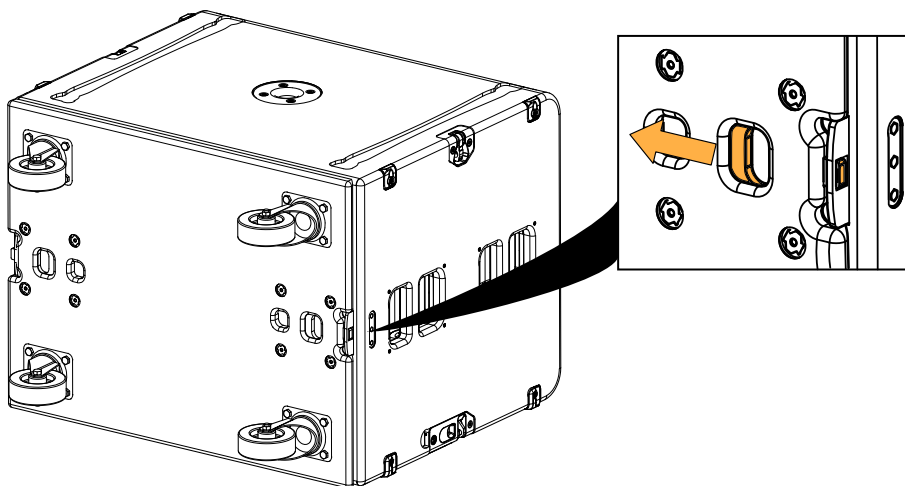


Multiple KS21-CHARIOT can be stacked for storage.



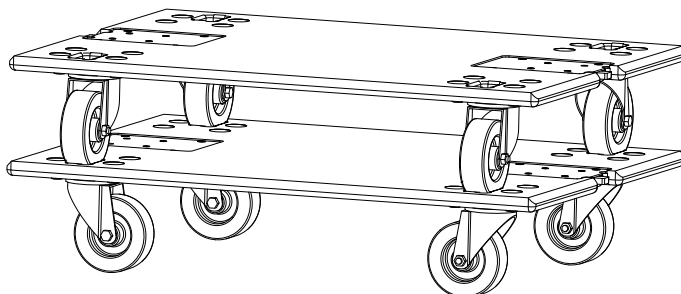
### KS21-PLA

KS21-PLA is a dolly board that can be secured to the front of a KS21 with two spring-loaded pins.



Multiple KS21-PLA can be stacked for storage.

**i** Turn the wheels outwards to stack KS21-PLA.

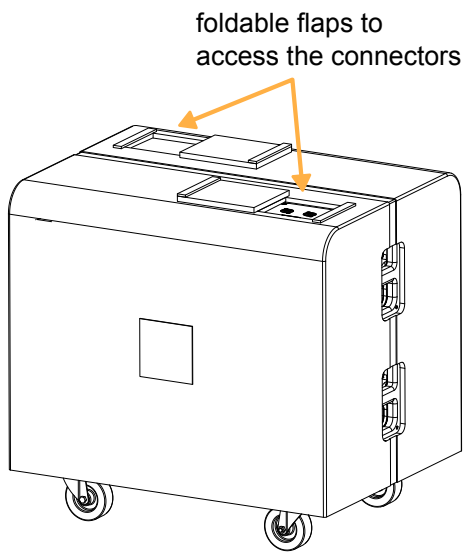


## KS21-COV and KS21-CHARIOTCOV

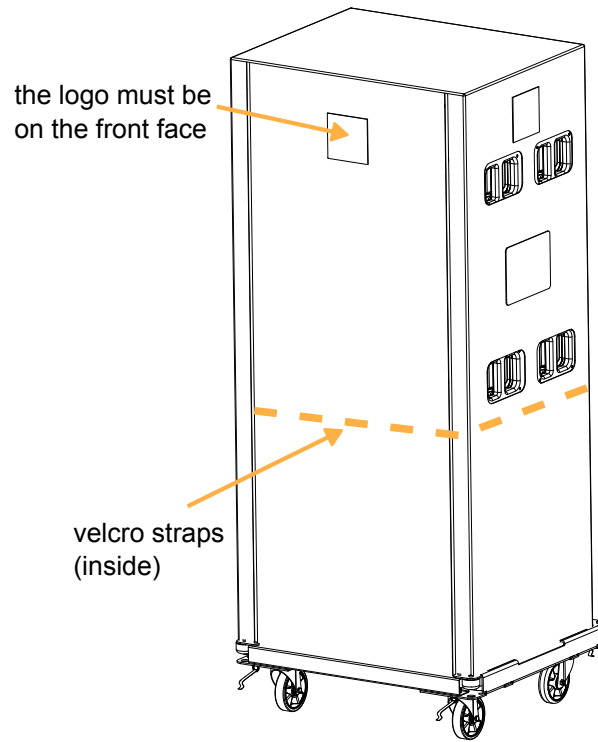
KS21-COV is an individual cover for KS21 on KS21-PLA. Two flaps provide access to the connector plate.

KS21-CHARIOTCOV is a cover for a stack of two to three KS21 on KS21-CHARIOT.

To fit a stack of two KS21, KS21-CHARIOTCOV must be folded inwards and secured with the integrated velcro straps.



KS21-COV



KS21-CHARIOTCOV



# Mechanical safety

## Flown configurations

The KS21 rigging system complies with 2006/42/EC: Machinery Directive. It has been designed following the guidelines of BGV-C1.

2006/42/EC: Machinery Directive specifies a safety factor of 4 against the rupture. The flown deployments described in this manual achieve a safety factor of **4 or more**.

Refer to Soundvision for the safety factor of a specific deployment.

The **safe limit** gives the maximum number of elements for which the safety factor is compliant with the 2006/42/EC: Machinery Directive, within the use defined in this manual and regardless of the other deployment parameters (site angles, inter-enclosure angles, etc.).

The **maximum limit** gives the maximum number of elements for which the safety factor can be compliant with the 2006/42/EC: Machinery Directive, when the other deployment parameters provide the best mechanical conditions.

For mixed arrays refer to your Soundvision model.

## KS21

configuration	rigging accessory	safe limit	maximum limit
Vertical array	A15-BUMP	8	16
Vertical array	A15-RIGBAR	4	

## Other configurations

For other configurations, respect the recommended maximum limit for optimal stability.

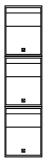


### Use safety straps

Always use safety straps on stacked arrays where the enclosures are not connected by the rigging system.

Always use safety straps on stacked arrays higher than four enclosures.

## KS21

configuration	rigging accessory	maximum / safe limit
Stacked vertical array	No rigging accessory or KS21-OUTRIG (optional)	4
Stacked upright	No rigging accessory	3
		
Stacked on chariot	KS21-CHARIOT	3

## Assessing mechanical safety

---



### **Mechanical safety of the rigging system**

Before any installation, always model the system in Soundvision and check the **Mechanical Data** section for any stress warning or stability warning.

In order to assess the actual safety of any array configuration before implementation, refer to the following warnings:



### **Rated working load limit (WLL) is not enough**

The rated WLL is an indication of the element resistance to tensile stress. For complex mechanical systems such as loudspeaker arrays, WLLs cannot be used per se to determine the maximum number of enclosures within an array or to assess the safety of a specific array configuration.

### **Maximum pullback angle**

If a pullback accessory is available, the pullback angle must not exceed a 90° negative site angle.

### **Mechanical modeling with Soundvision**

The working load applied to each linking point, along with the corresponding safety factor, will depend on numerous variables linked to the composition of the array (type and number of enclosures, splay angles) and the implementation of the flying or stacking structure (number and location of flying points, site angle). This cannot be determined without the complex mechanical modeling and calculation offered by Soundvision.

### **Assessing the safety with Soundvision**

The overall safety factor of a specific mechanical configuration always corresponds to the lowest safety factor among all the linking points. Always model the system configuration with the Soundvision software and check the **Mechanical Data** section to identify the weakest link and its corresponding working load. By default, a stress warning will appear when the mechanical safety goes beyond the recommended safety level.

### **Safety of ground-stacked arrays in Soundvision**

For ground-stacked arrays, a distinct stability warning is implemented in Soundvision. It indicates a tipping hazard when the array is not secured to the ground, stage or platform. It is the user's responsibility to secure the array and to ignore the warning.

### **Additional safety for flown arrays**

When flying an array, use available holes to implement a secondary safety.

### **Considerations must be given to unusual conditions**

Soundvision calculations are based on usual environmental conditions. A higher safety factor is recommended with factors such as extreme high or low temperatures, strong wind, prolonged exposition to salt water, etc. Always consult a rigging specialist to adopt safety practices adapted to such a situation.

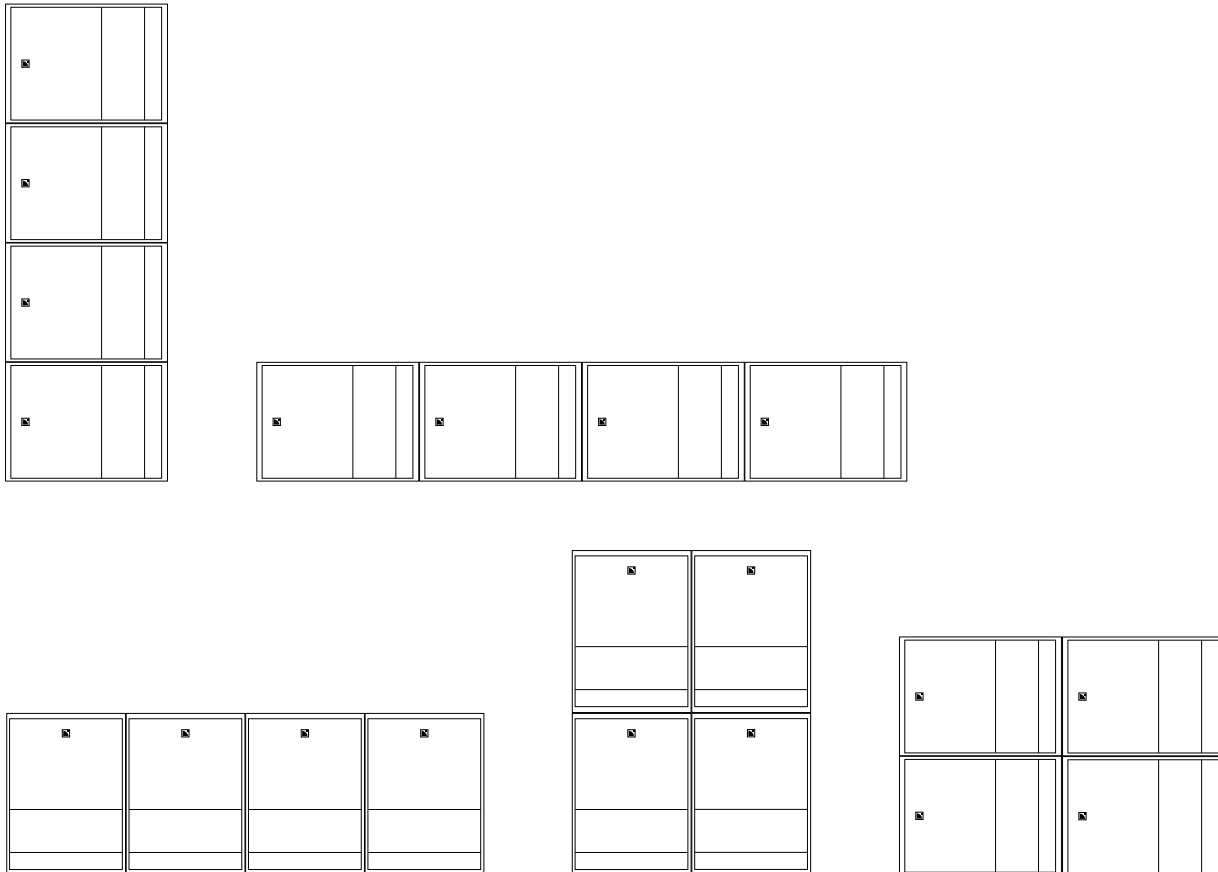
# Loudspeaker configurations

## KS21 in standard configuration

Deployed in a standard configuration, a KS21 system operates with an omnidirectional directivity pattern over the nominal bandwidth of the KS21 enclosure.

The [KS21\_60] and [KS21\_100] factory presets provide the subwoofer system with an upper frequency limit at 60 Hz and 100 Hz respectively in order to optimize the acoustic coupling with a main full-range system.

The KS21 subwoofer is driven by the LA4X / LA8 / LA12X amplified controller.



Preset	[KS21_60]	[KS21_100]
Low frequency limit	29 Hz	31 Hz



### Delay values

When combining a line source with subwoofers, delays may have to be added to the presets. Refer to the Preset Guide to obtain the pre-alignment delay values.



### Grouping subwoofers

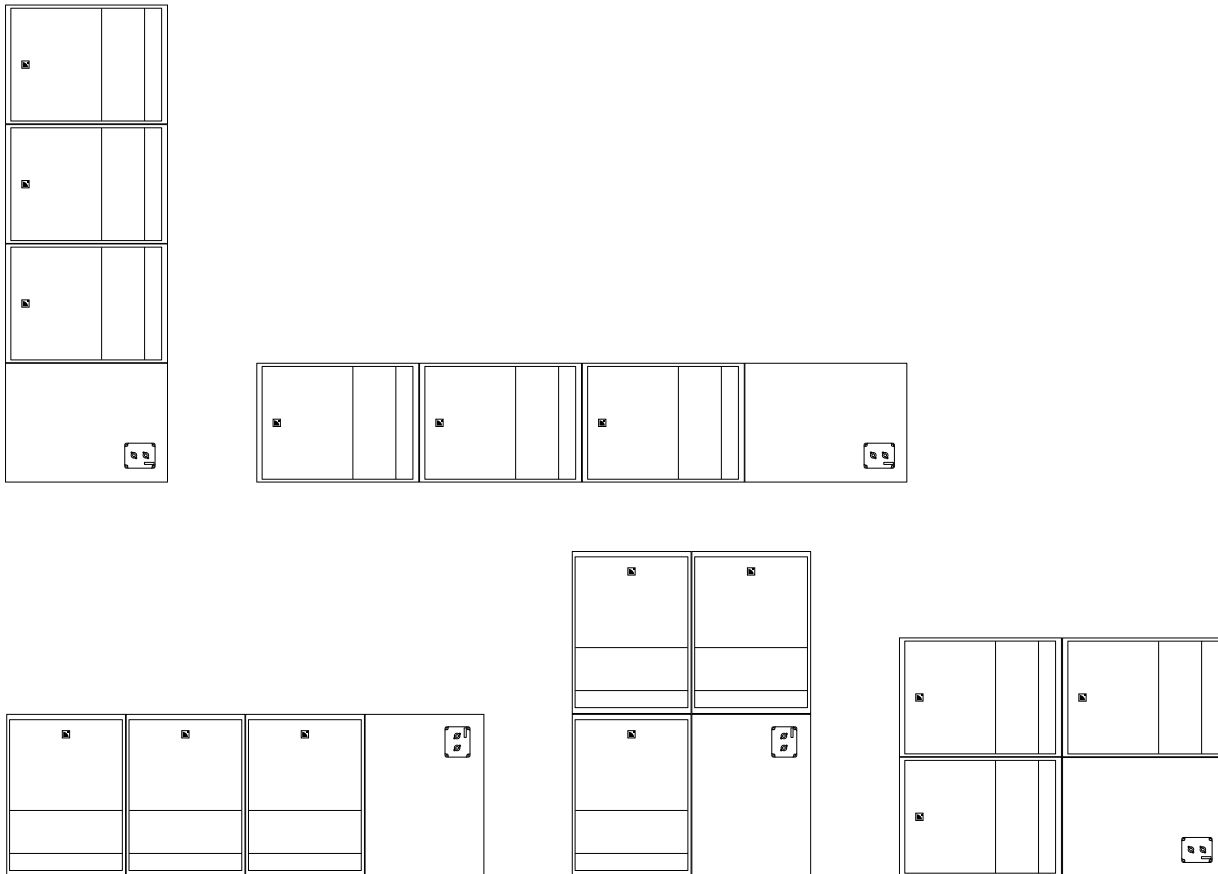
Place the subwoofer enclosures side by side. If not possible, the maximum distance between two adjacent acoustic centers must be 2.8 m or 1.7 m if the upper frequency limit of the subwoofer system is at 60 Hz or 100 Hz, respectively.

## KS21 in cardioid configuration

Deployed in a cardioid configuration, a KS21 system produces a rear SPL rejection. The deployment consists of an array of four KS21 with one element turned towards the rear (reversed). Refer to the **Cardioid Configuration** technical bulletin for more information.

The [KS21\_60\_C] and [KS21\_100\_C] factory presets provide the subwoofer system with an upper frequency limit at 60 Hz and 100 Hz respectively in order to optimize the acoustic coupling with a main full-range system.

The KS21 subwoofer is driven by the LA4X / LA8 / LA12X amplified controllers.



Preset	[KS21_60_C]	[KS21_100_C]
Low frequency limit	29 Hz	31 Hz



### Delay values

When combining a line source with subwoofers, delays may have to be added to the presets. Refer to the Preset Guide to obtain the pre-alignment delay values.



### Grouping subwoofers

Place the subwoofer enclosures side by side. If not possible, the maximum distance between two adjacent acoustic centers must be 2.8 m or 1.7 m if the upper frequency limit of the subwoofer system is at 60 Hz or 100 Hz, respectively.

# Rigging procedures

## Flying

### Flying a vertical array with A15-BUMP/A15-RIGBAR

<b>Type of deployment</b>	flown array
<b>Rigging accessory</b>	A15-BUMP/A15-RIGBAR 2 x Ø12 mm shackle WLL 1 t (provided)
<b>Min number of operators</b>	2

**⚠ Risk of falling objects**  
Verify that no unattached items remain on the product or assembly.

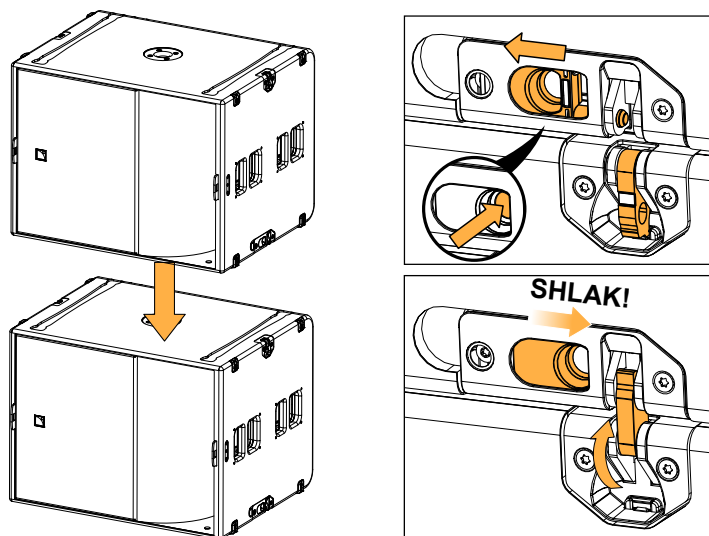
**⚠ Secondary safety**  
Use available holes on the rigging accessories to implement a secondary safety.

## Assembly

### Procedure

1. Prepare a stack of KS21.

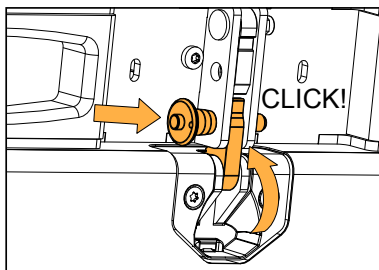
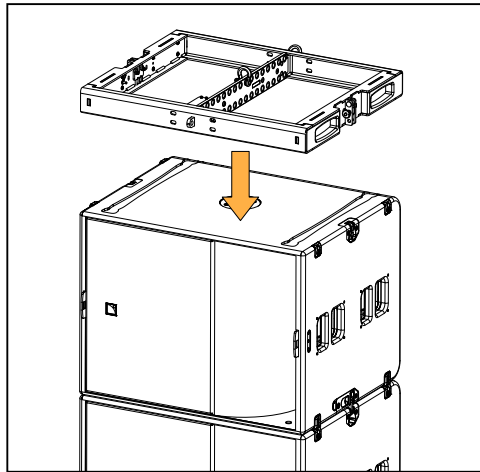
Connect each enclosure on both sides before adding the new one.



**2. Secure A15-BUMP or A15-RIGBAR on top of the array.**

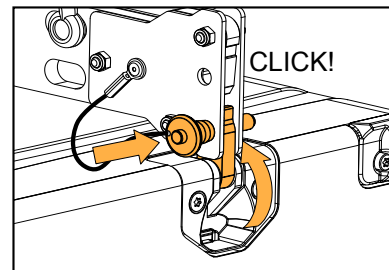
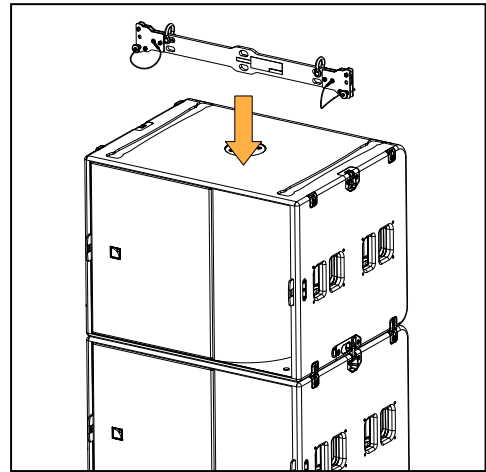
**A15-BUMP**

Connect A15-BUMP to the top KS21 on both sides.



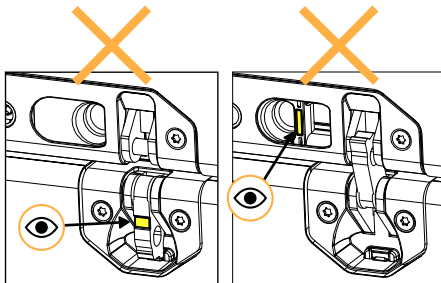
**A15-RIGBAR**

Connect A15-RIGBAR to the top KS21 on both sides.

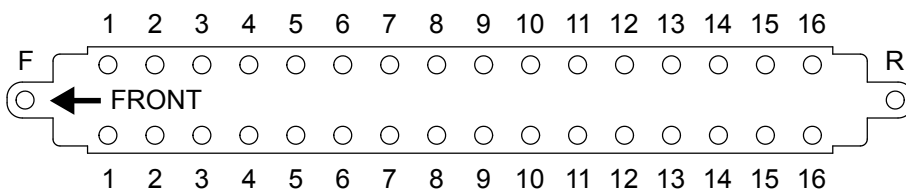


**Final check**

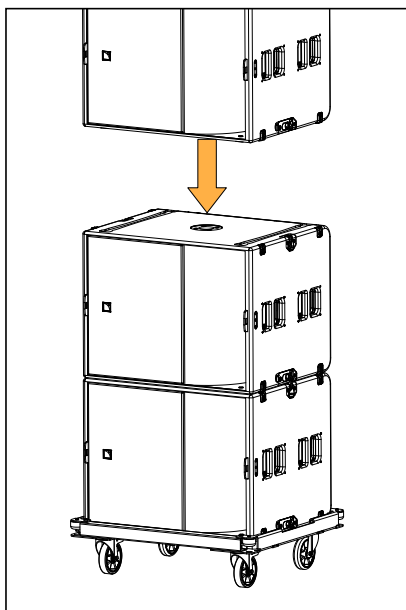
Visually check that no yellow labels are visible.  
Manually check that all linking points are secured.



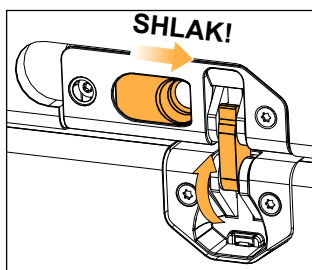
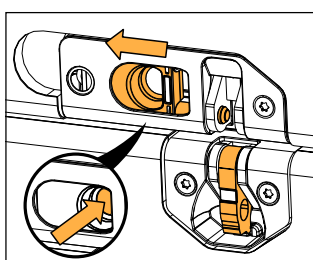
**3. Select the pickup point and raise the array.**



- 4.** Add additional enclosures under the array.  
 a) Lower the array onto a KS21 or a stack of KS21 on KS21-CHARIOT.  
 Align the runners and the tracks.



- b) Connect the enclosures on both sides.

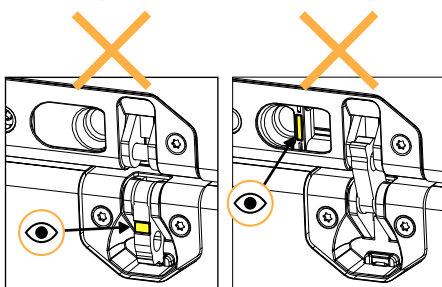


- c) Unlock the KS21-CHARIOT rigging arms.



**Final check**

Visually check that no yellow labels are visible.  
 Manually check that all linking points are secured.



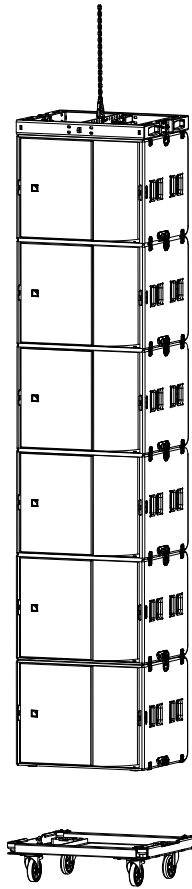
- 5.** Raise the array.

## Disassembly

### Removing a stack of KS21

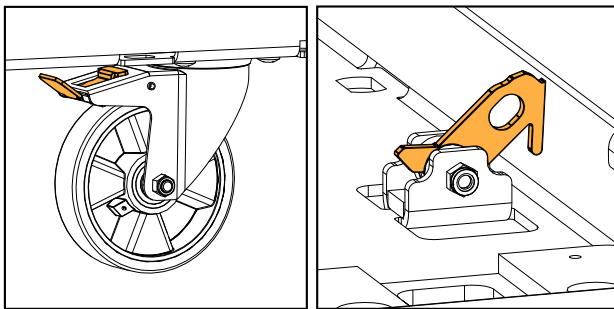
#### Procedure

1. Position a KS21-CHARIOT under the array.



#### Prepare KS21-CHARIOT

Make sure the KS21-CHARIOT brakes are not engaged.  
Make sure the KS21-CHARIOT rigging arms are in the open position.

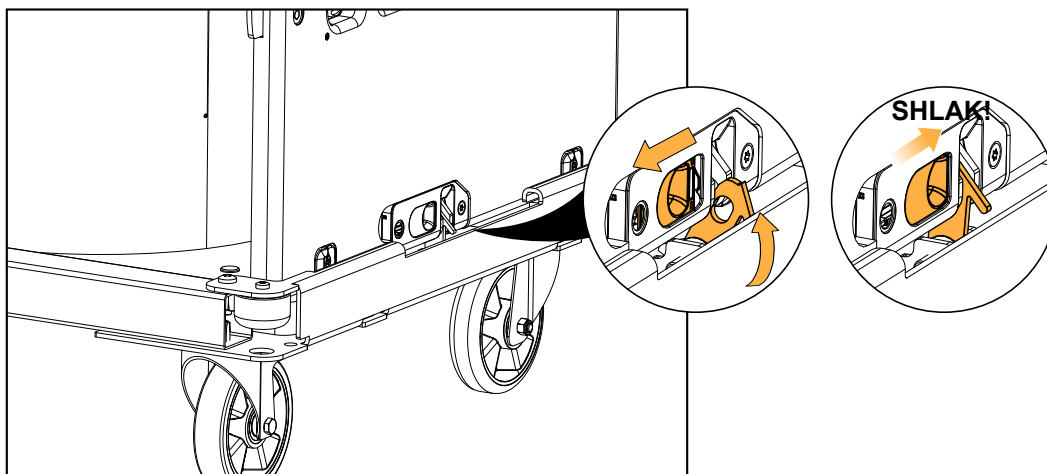


Proceed slowly when lowering the array.

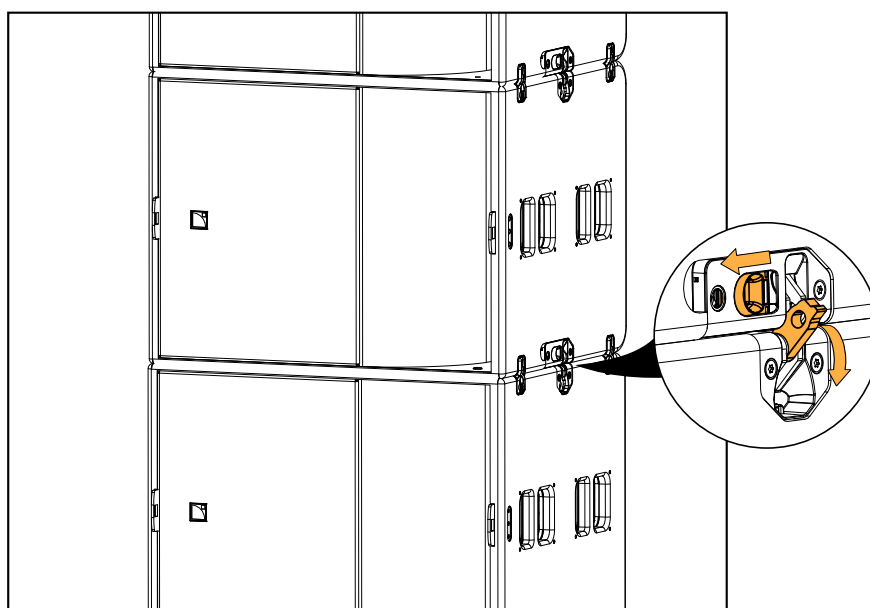
2. Lower the array until it rests on KS21-CHARIOT.



- Secure the bottom enclosure to KS21-CHARIOT.



- Disconnect a stack from the array on both sides.



Make sure both linking points are disconnected before lifting the array.

- Lift the assembly and put the stack aside.
- Repeat the procedure.

## Stacking

### Stacking KS21 on KS21-CHARIOT

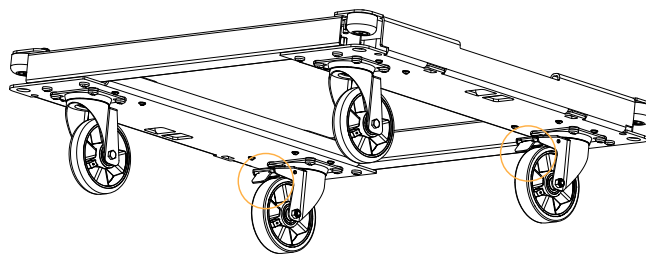
<b>Type of deployment</b>	stacked array
<b>Rigging accessory</b>	KS21-CHARIOT
<b>Min number of operators</b>	2

**⚠ Risk of falling objects**  
 Verify that no unattached items remain on the product or assembly.

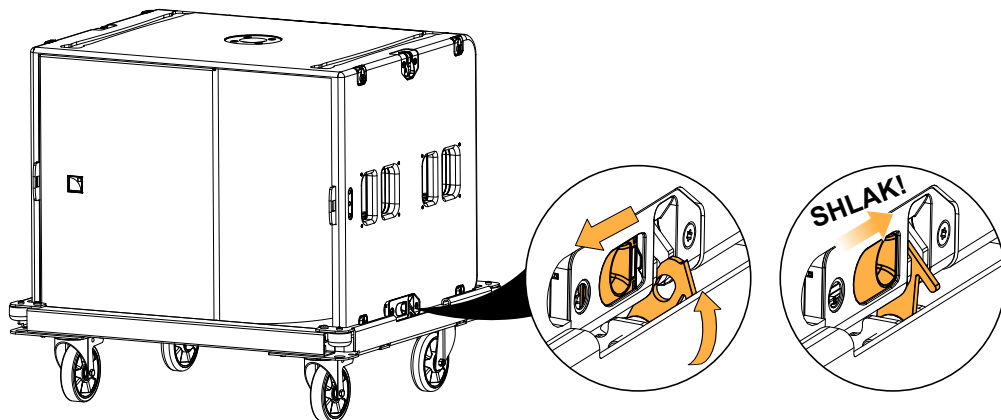
### Assembly

#### Procedure

1. Engage both brakes on KS21-CHARIOT.

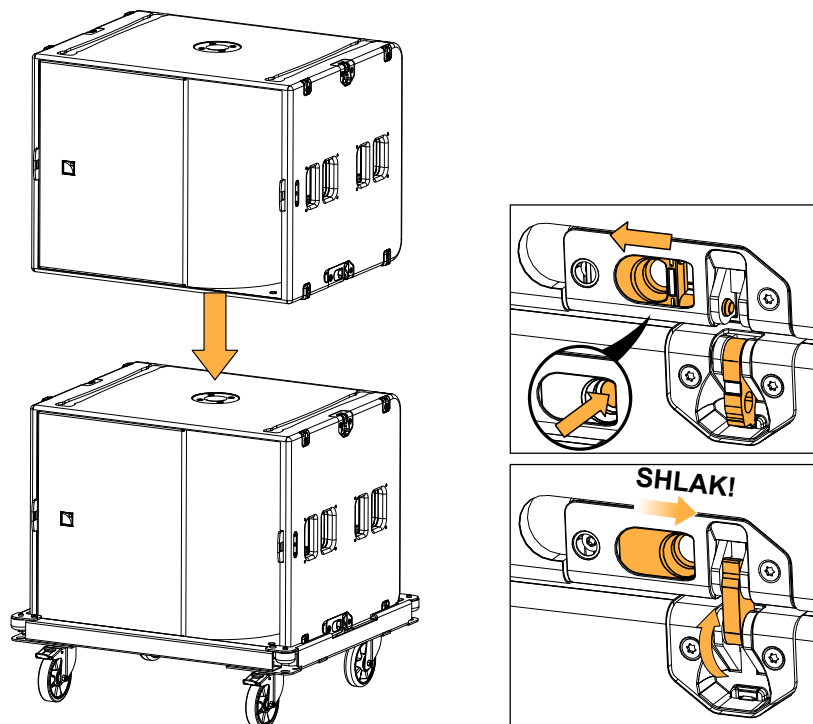


2. Place KS21 on KS21-CHARIOT and connect the two elements on both sides.



3. Secure another KS21 on the assembly.

Align the runners with the tracks.



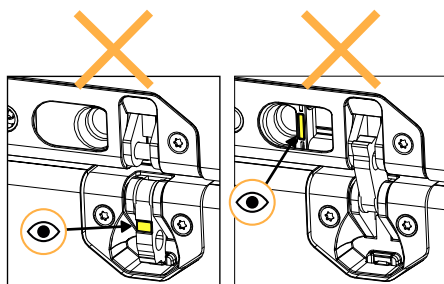
4. Repeat until the stack is complete.



#### Final check

Visually check that no yellow labels are visible.

Manually check that all linking points are secured.



5. Disengage the brakes and position the stack at its final position.

6. Block the stack using both brakes.

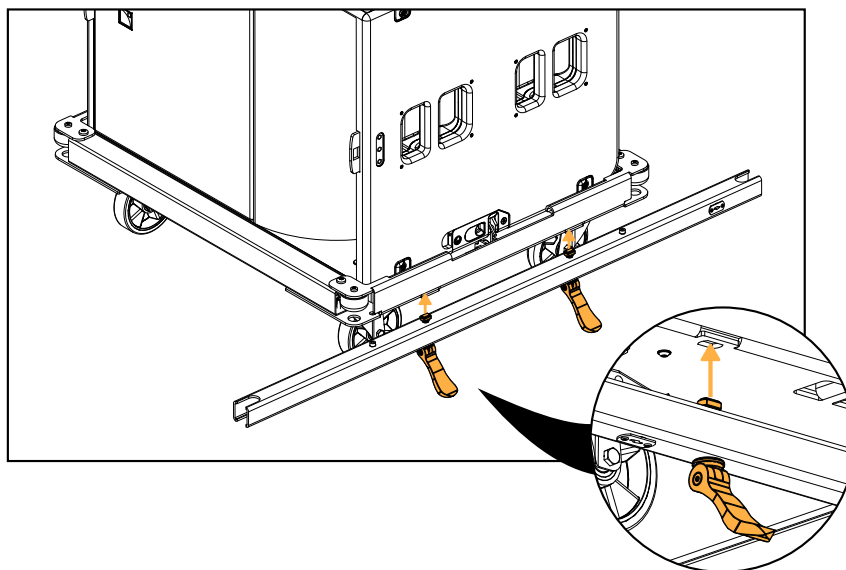
## Attaching K2-JACK stabilizers to KS21-CHARIOT

<b>Type of deployment</b>	stacked array
<b>Rigging accessory</b>	K2-JACK KS21-CHARIOT
<b>Min number of operators</b>	1

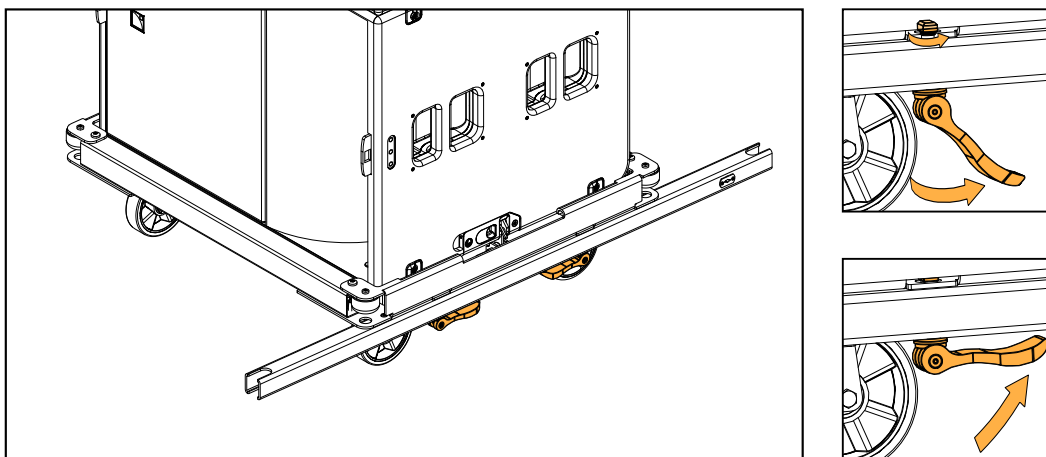
### Assembly

#### Procedure

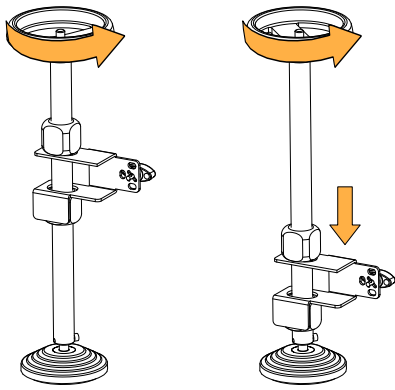
1. Attach the K2-JACK bars to KS21-CHARIOT on each side.
  - a) Open the locking handles to insert the studs.



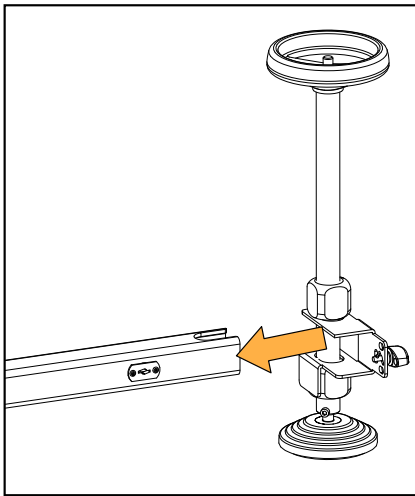
- b) Raise and turn the locking handles to secure the bars.



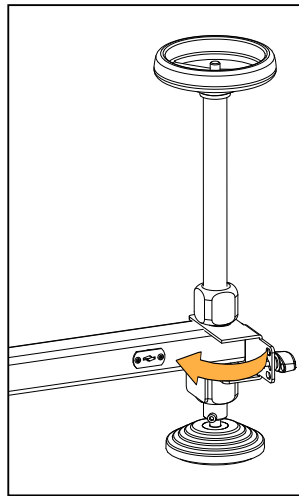
- 2.** On each K2-JACK foot, rotate the wheel counter-clockwise until the central part is close to the base.



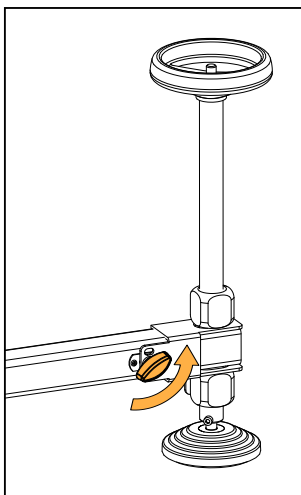
- 3.** Attach the feet to the bar.



Insert the feet at both ends of the bar.



Pivot the central part so that it comes in contact with the bar.

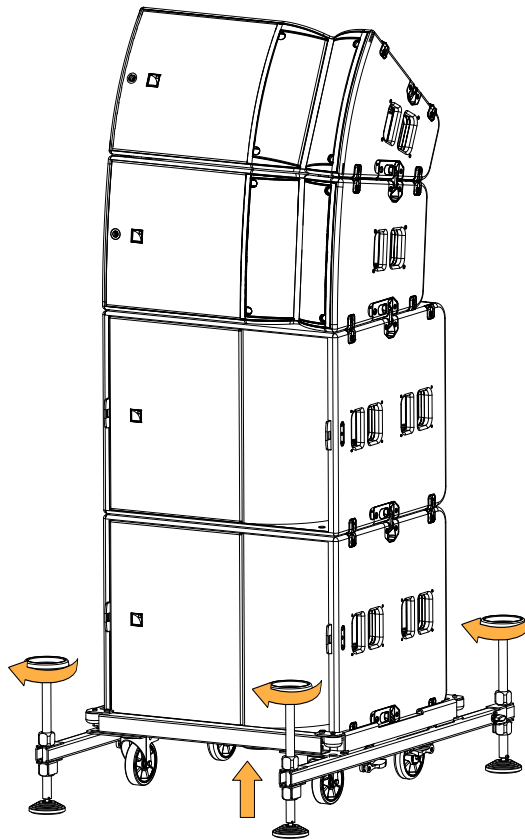


Lock the feet in position by giving a quarter-turn to the locking system.



Stop raising the stack as soon as the wheels get off the ground.

4. Rotate the wheels clockwise to raise the array.



# Connection to LA amplified controllers

## Enclosure drive capacity per amplified controller

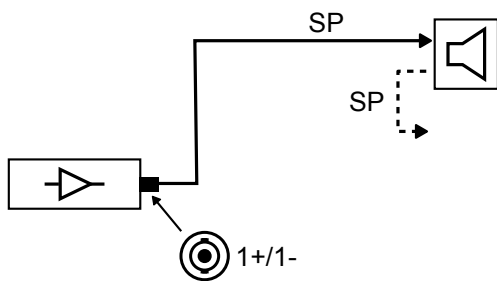
Make sure the total number of connected enclosures does not exceed the maximum number of enclosures per controller (refer to the footnotes).

	LA4	LA4X	LA8	LA12X
	per output * / total	per output * / total	per output * / total	per output * / total
KS21	—	1 / 4	2 / 6	2 / 8

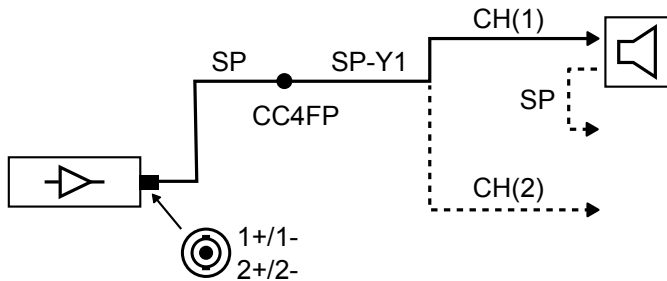
## Cabling schemes for A15 Wide/Focus / KS21

Refer to the cabling schemes to connect the enclosures to different types of output connectors.

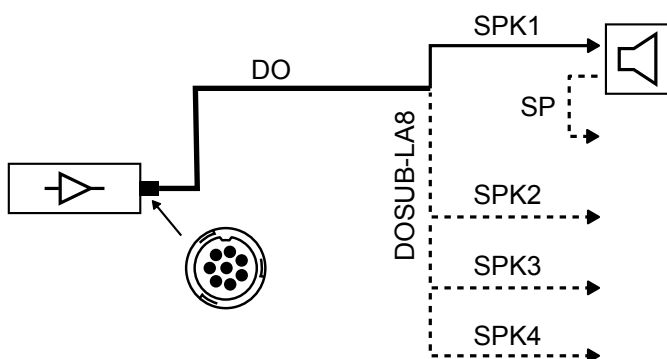
### One-channel speakON output



### Two-channel speakON output



### Four-channel CA-COM output



\* For passive loudspeakers, the value corresponds to the number of enclosures in parallel on the output. For active loudspeakers, the value corresponds to the number of sections in parallel on the output.

# Specifications

## KS21 specifications

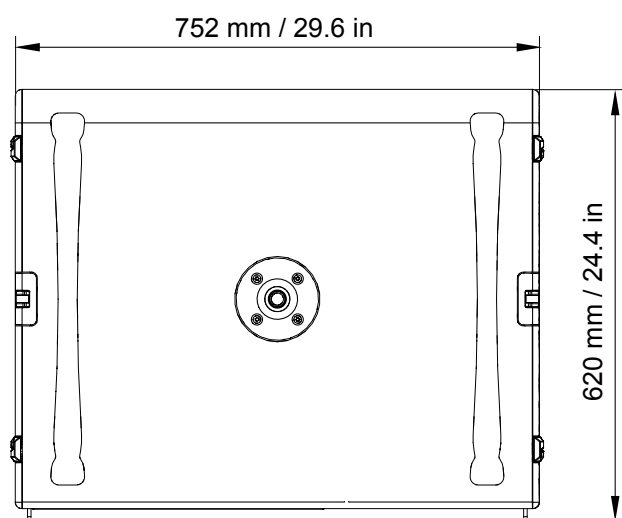
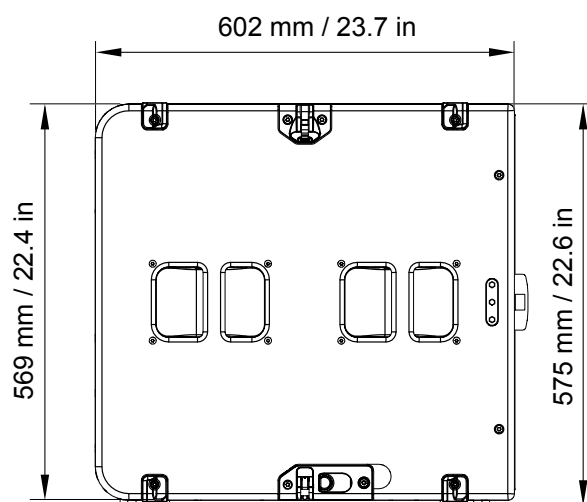
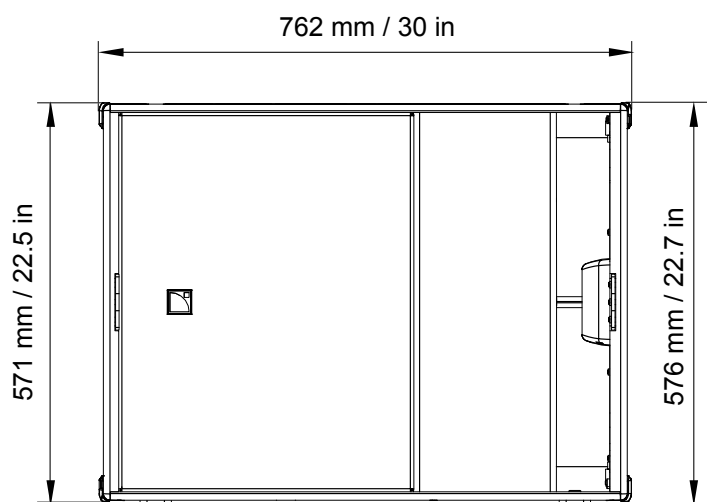
---

<b>Description</b>	High power compact subwoofer: 1x21" , amplified by LA4X / LA8 / LA12X
<b>Low frequency limit (-10 dB)</b>	31 Hz ([KS21_100])
<b>Maximum SPL<sup>1</sup></b>	138 dB ([KS21_100])
<b>Nominal directivity</b>	standard or cardioid configuration
<b>Transducers</b>	1 × 21" neodymium cone driver
<b>Acoustical load</b>	bass-reflex, L-Vents
<b>Nominal impedance</b>	8 Ω
<b>Connectors</b>	IN: 1 × 4-point speakON LINK: 1 × 4-point speakON
<b>Rigging and handling</b>	flush-fitting two-point rigging system 4 handles 8 corner stops 2 ground runners 1 pole mount with M20×150 insert
<b>Weight (net)</b>	49 kg / 108 lb
<b>Cabinet</b>	premium grade Baltic beech and birch plywood
<b>Front</b>	steel grill with coating acoustically neutral 3D fabric
<b>Rigging components</b>	high grade steel with anti-corrosion coating
<b>Finish</b>	dark grey brown Pantone 426 C

<sup>1</sup> Peak level at 1 m under half space conditions using pink noise with crest factor 4 (preset specified in brackets).



### KS21 dimensions

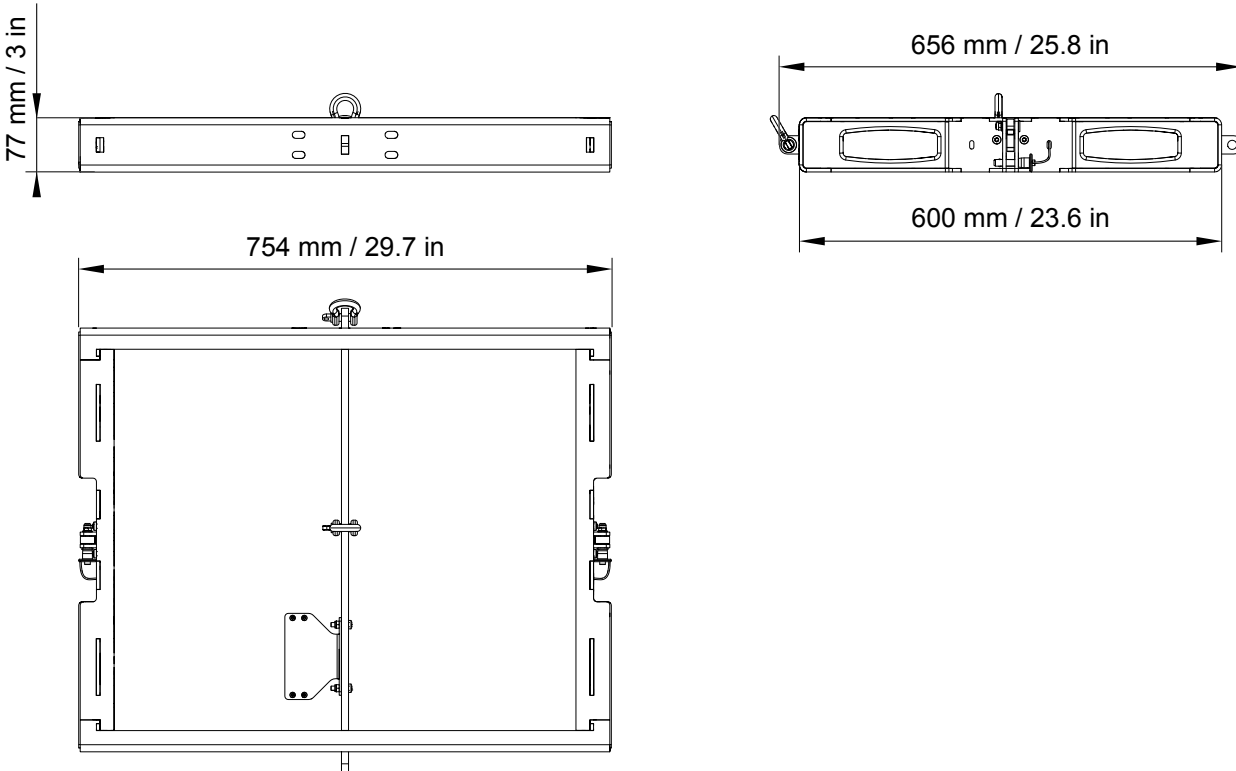


## A15-BUMP specifications

---

<b>Description</b>	Flying frame for vertical deployment of A15 and KS21 2 × Ø12 mm shackles WLL 1 t
<b>Weight (net)</b>	19 kg / 42 lb
<b>Material</b>	high grade steel with anti-corrosion coating

## A15-BUMP dimensions

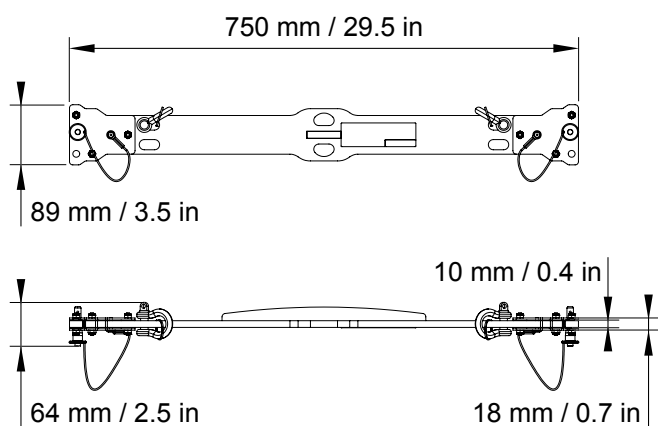


## A15-RIGBAR specifications

---

<b>Description</b>	Rigging bar and pullback for A15 and KS21 2 × Ø12 mm shackles WLL 1 t
<b>Weight (net)</b>	4.6 kg / 10 lb
<b>Material</b>	high grade steel with anti-corrosion coating

## A15-RIGBAR dimensions

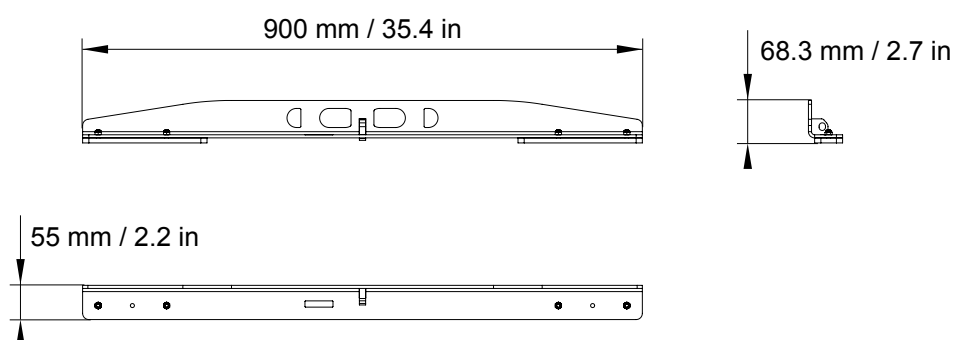


## KS21-OUTRIG specifications

**!** **Specifications for one KS21-OUTRIG bar.**  
Always use in pairs.

<b>Description</b>	Stability bars for KS21
<b>Weight (net)</b>	3.5 kg / 7.7 lb
<b>Rigging and handling</b>	2 ground runners
<b>Material</b>	high grade steel with anti-corrosion coating, high density polyethylene (runners)

## KS21-OUTRIG dimensions

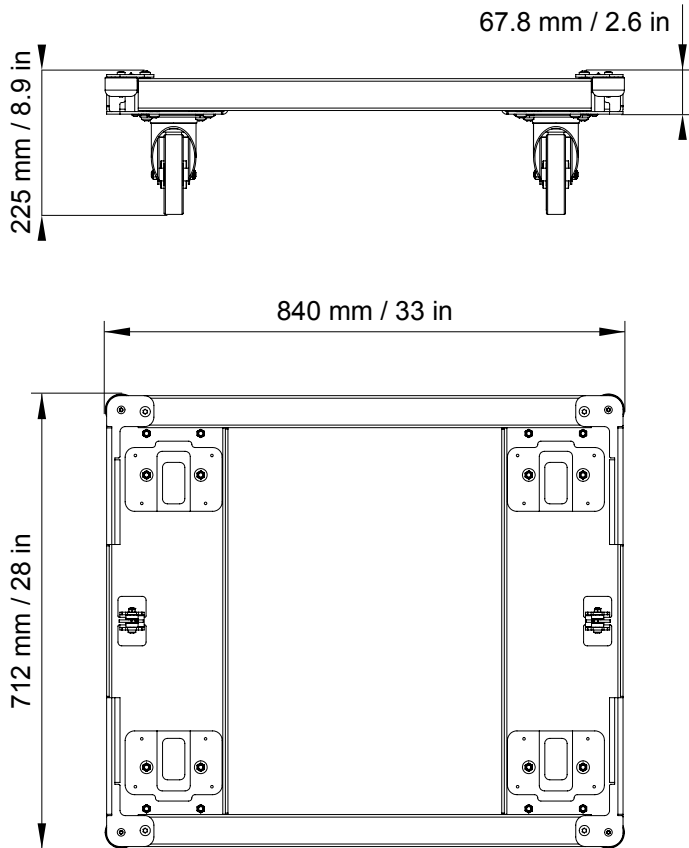


## KS21-CHARIOT specifications

---

<b>Description</b>	Chariot for 3 KS21
<b>Weight (net)</b>	23.6 kg / 52 lb

### KS21-CHARIOT dimensions

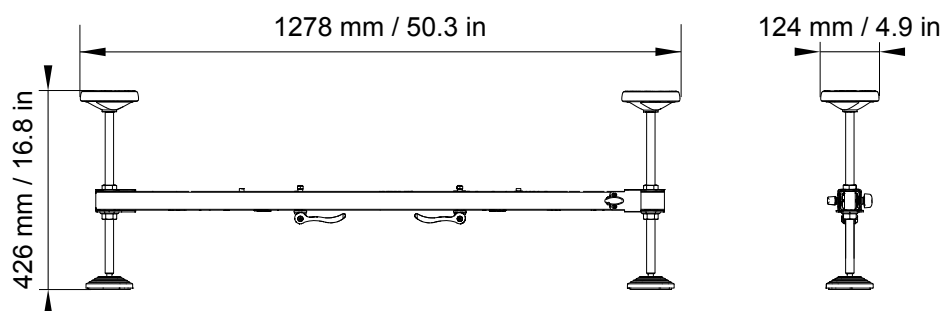


## K2-JACK specifications

---

<b>Description</b>	4 tilt adjustment screw jacks + bar for K2-CHARIOT
<b>Weight (net)</b>	10.1 kg / 22.3 lb (for one stabilizer)
<b>Material</b>	high grade steel with anti-corrosion coating

### K2-JACK dimensions

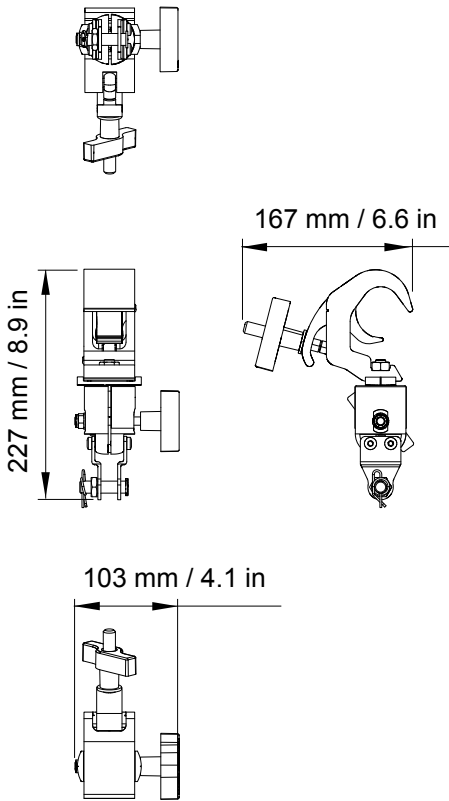


## CLAMP250 specifications

---

<b>Description</b>	Clamp certified for 250 kg
<b>Weight (net)</b>	1.8 kg / 4 lb
<b>Material</b>	high grade steel with anti-corrosion coating

## CLAMP250 dimensions



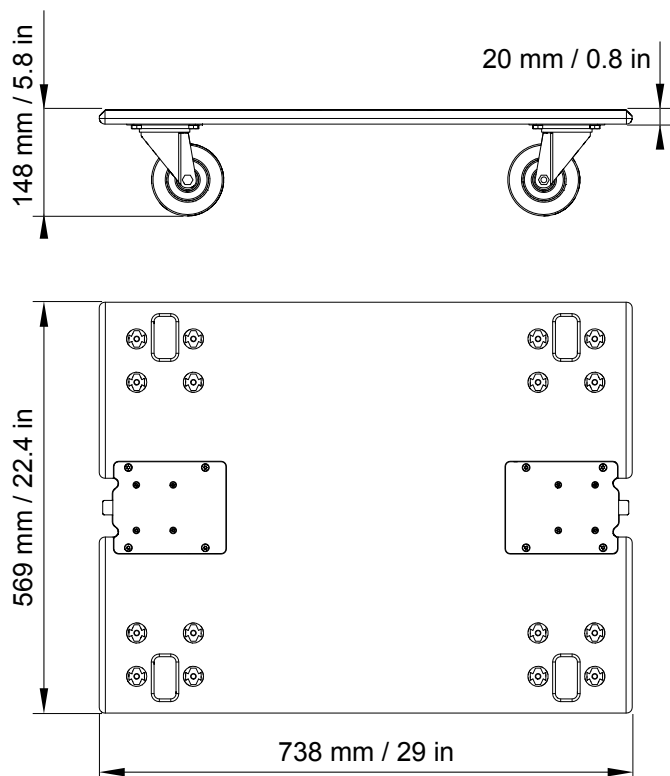
## KS21-PLA specifications

---

**Description** Removable front dolly for 1KS21

**Weight (net)** 9.5 kg / 21 lb

### KS21-PLA dimensions



## Recommendation for speaker cables

Follow the recommended maximum length for loudspeaker cables to ensure minimal SPL attenuation.



### Cable quality and resistance

Only use high-quality fully insulated speaker cables made of stranded copper wire.

Use cables with a gauge offering low resistance per unit length and keep the cables as short as possible.

The table below provides the recommended maximum length for loudspeaker cables depending on the cable gauge and on the impedance load connected to the amplifier.

cable gauge			recommended maximum length					
			8 Ω load		4 Ω load		2.7 Ω load	
mm <sup>2</sup>	SWG	AWG	m	ft	m	ft	m	ft
2.5	15	13	30	100	15	50	10	33
4	13	11	50	160	25	80	17	53
6	11	9	74	240	37	120	25	80

For installation projects, use the more detailed L-Acoustics calculation tool to evaluate cable length and gauge based on the type and number of enclosures connected. The calculation tool is available on our website:

<https://www.l-acoustics.com/en/installation/tools/>





**L-Acoustics, an L-Group Company**

13 rue Levacher Cintrat - 91460 Marcoussis - France  
+33 1 69 63 69 63 - info@l-acoustics.com  
www.l-acoustics.com

**L-Acoustics GmbH**

Steiermärker Str. 3-5  
70469 Stuttgart  
Germany  
+49 7 11 89660 323

**L-Acoustics Ltd.**

PO. Box Adler Shine - Aston House  
Cornwall Avenue - London N3 1LF  
United Kingdom  
+44 7224 11 234

**L-Acoustics Inc.**

2645 Townsgate Road, Suite 600  
Westlake Village, CA 91361  
USA  
+1 805 604 0577



L-GROUP

www.l-group.com